

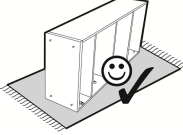







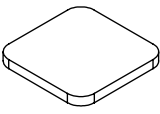

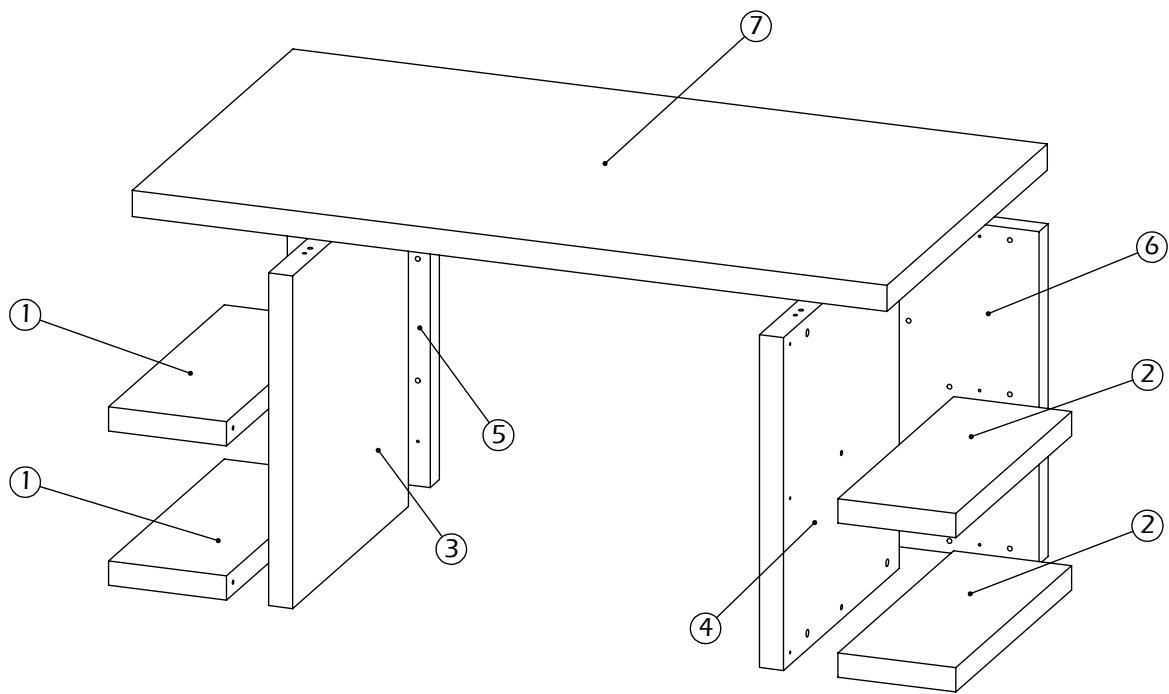


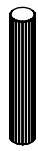


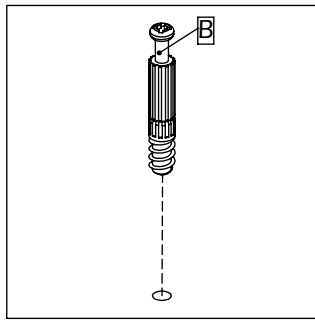
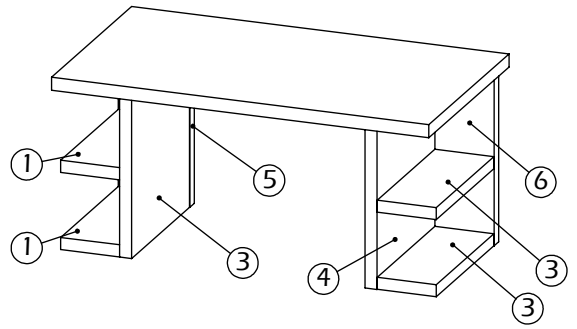
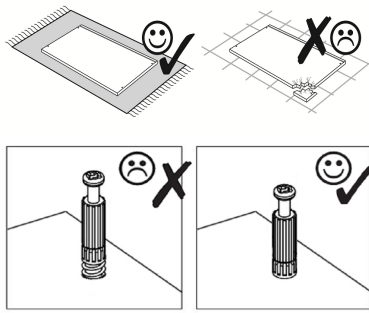
7200.379/380/381       

A - 16x	B - 16x	C - 22x	D - 8x	E - 20x
				
Ø15x13mm 0512.042	Ø7x41mm 0512.041	Ø10x60mm 0540.012	32x32x2mm 0992.002	Ø20x1mm 0520.165/171 172/009

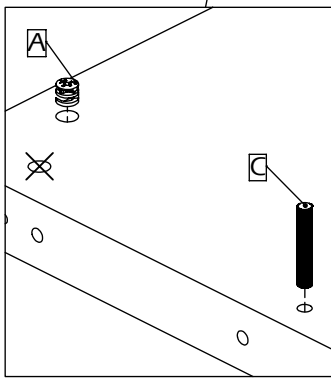
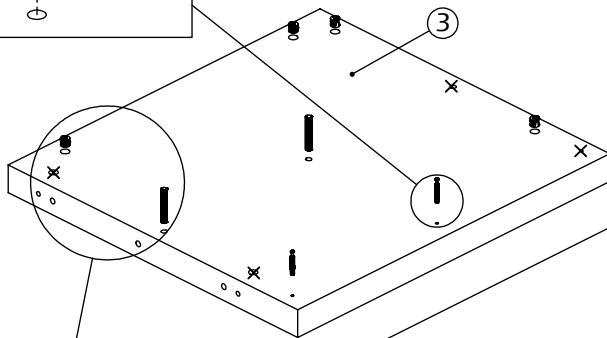


1

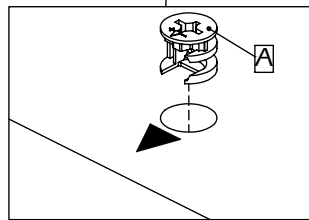
A-x16 	B-x4 	C-x4 
Ø15x13mm	Ø7x41mm	Ø10x60mm



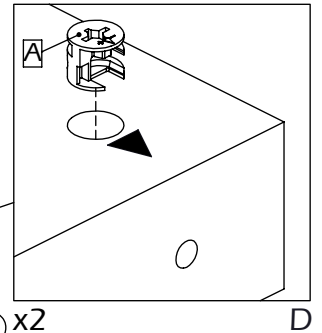
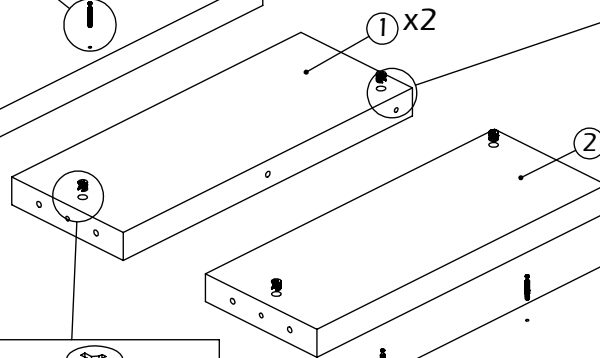
A



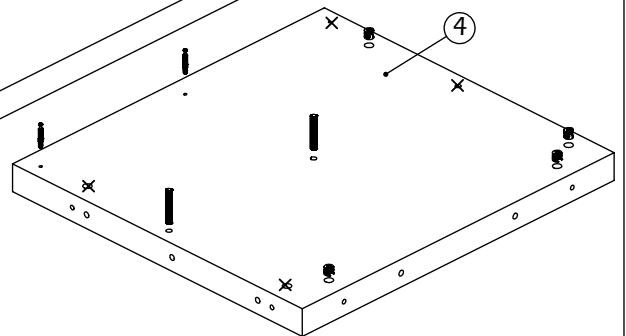
B



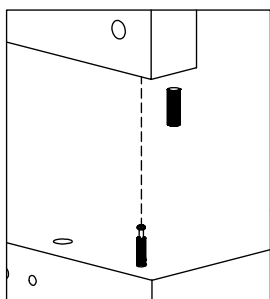
C



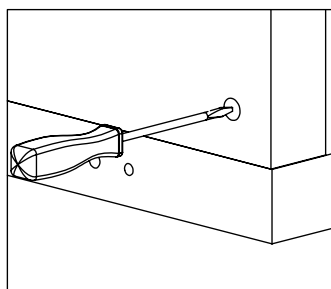
D



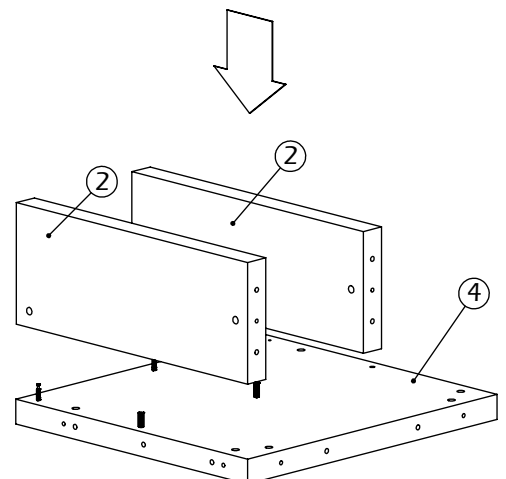
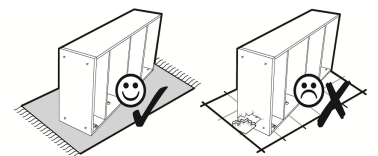
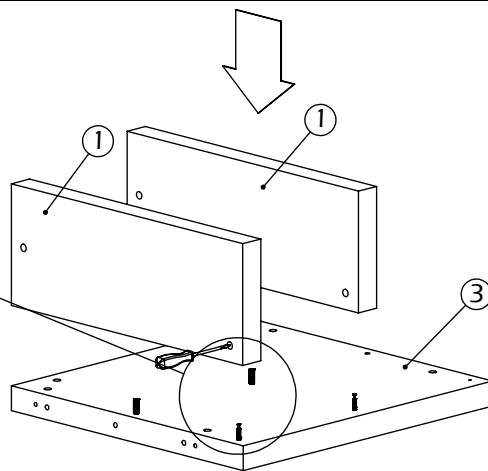
2



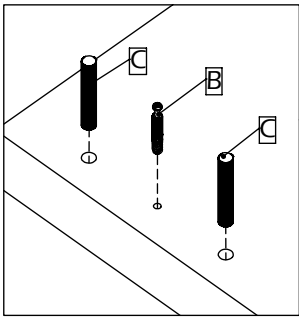
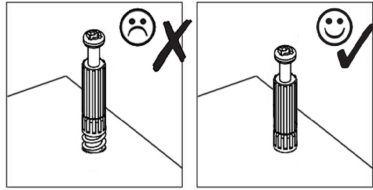
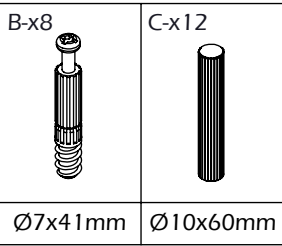
E



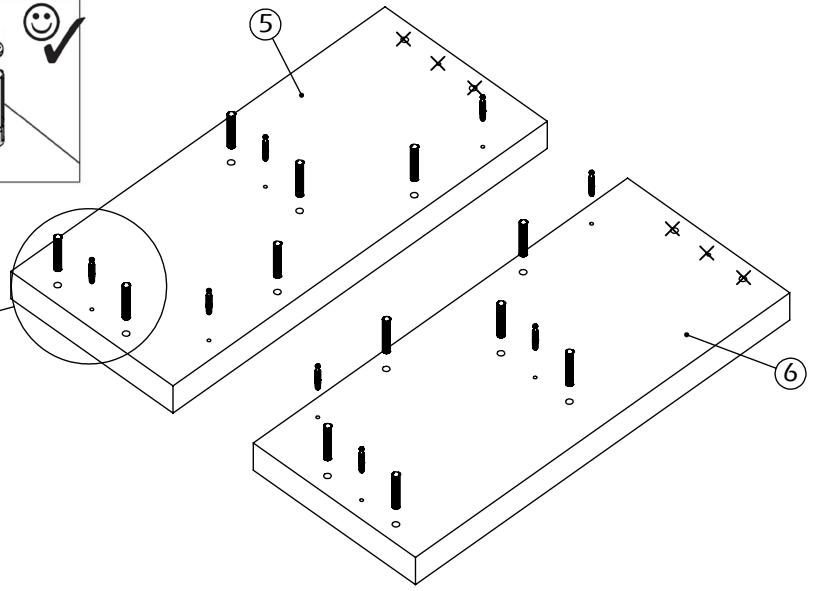
F



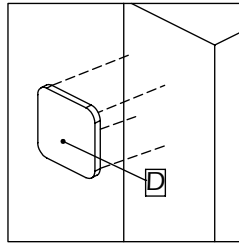
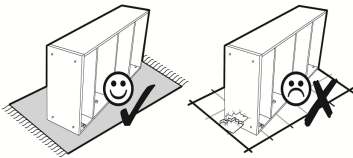
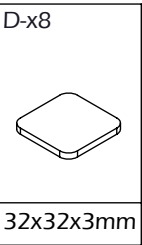
3



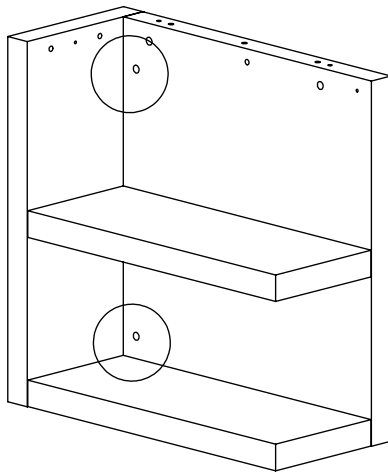
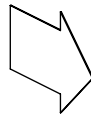
G



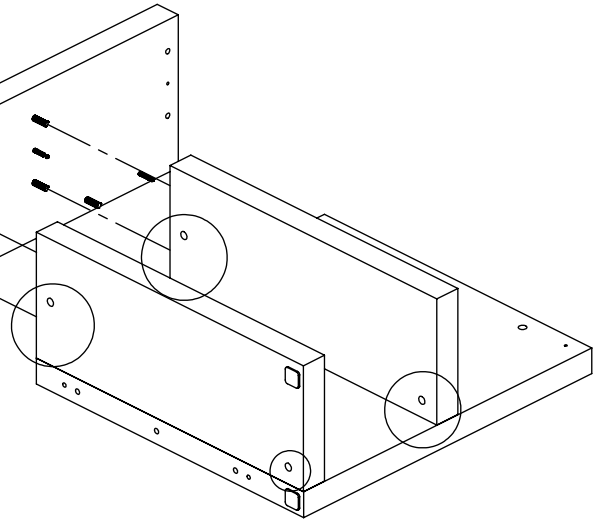
4



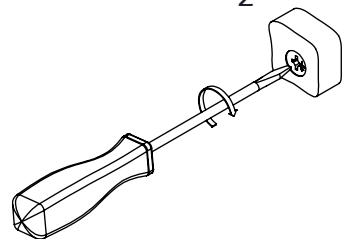
1°



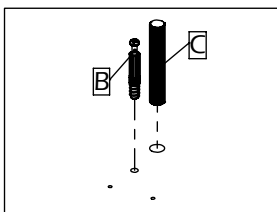
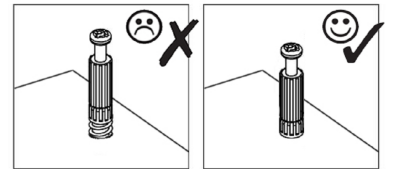
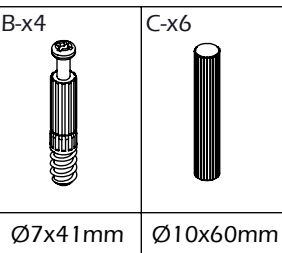
90°



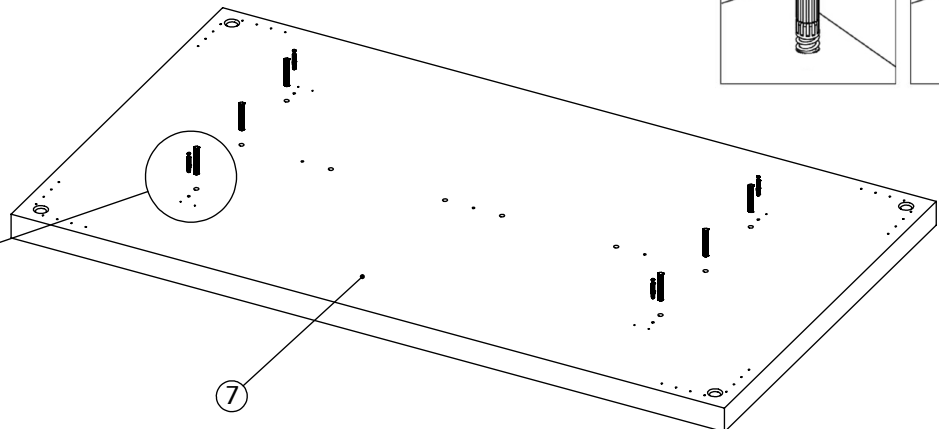
2°



5

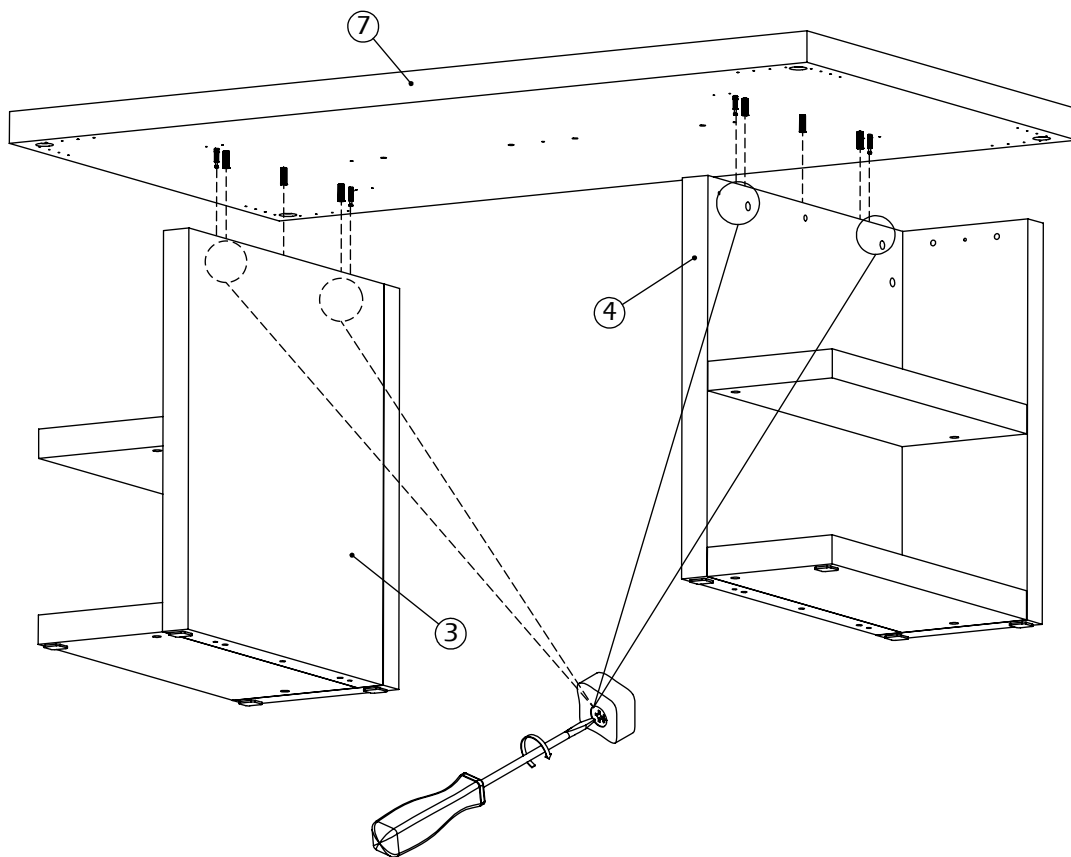


H



7

6



7

E-x20



Ø20x0,5mm

