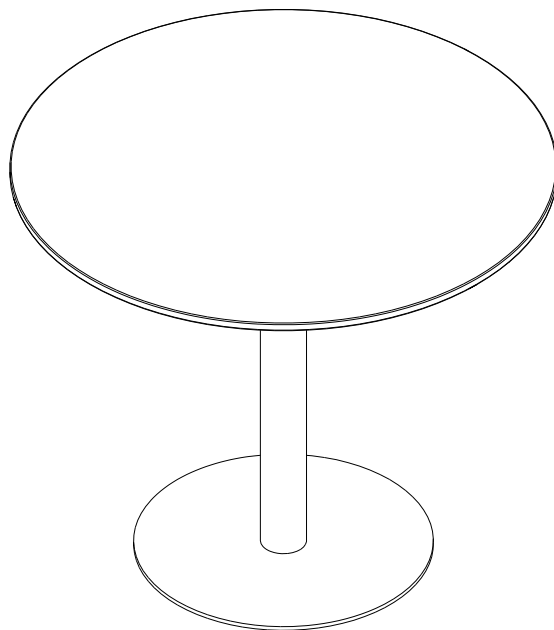


Thank you for purchasing this table marble 90'. Please read the instructions carefully before use to ensure safe and satisfactory operation of this product.

---



## Pre-assembly preparation

Please ensure instructions are read in full before attempting to assemble this product

---

## Necessary tools



Please check the pack contents before attempting to assemble this product. A full checklist of components is given in this leaflet. If any components are missing, please contact the retailer from whom you bought this product.

This product is **HEAVY**, it should be assembled as near as possible to the point of use. **TAKE CARE WHEN LIFTING** to avoid personal injury and (or) damage to the product.

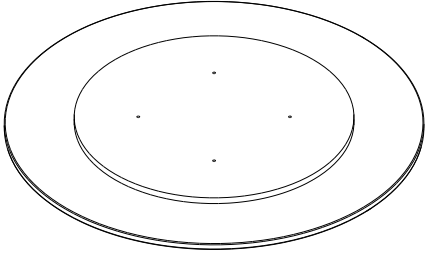
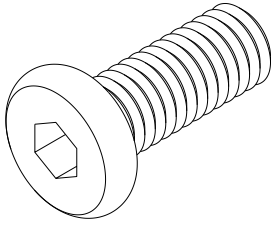
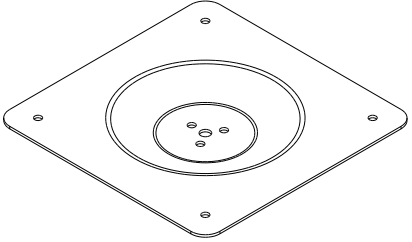
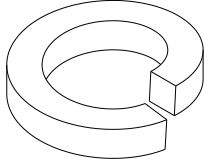
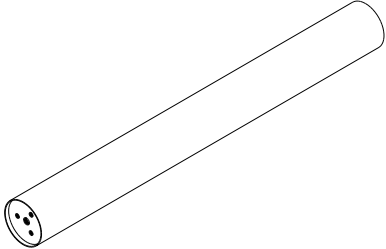
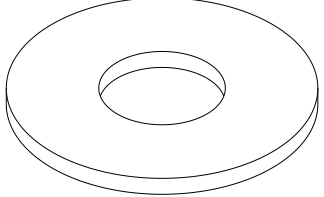
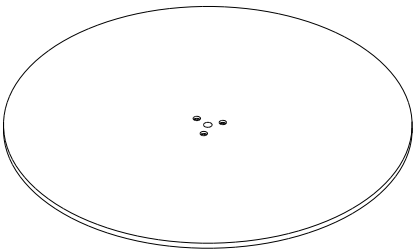
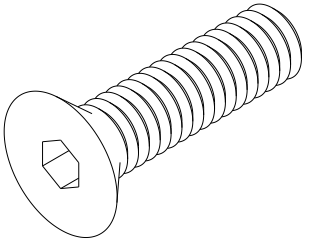
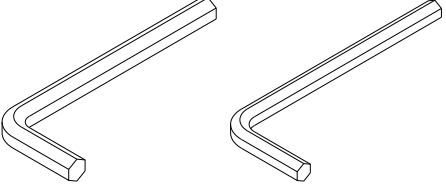
This product takes approximately **20 MINUTES** to assemble with **2 PEOPLE**.

The fittings pack contains **SMALL ITEMS** which should be **KEPT AWAY FROM YOUNG CHILDREN**.

Read this leaflet in full before commencing assembly.

**PLEASE KEEP THESE INSTRUCTIONS FOR FUTURE REFERENCE**

# Fittings and parts checklist

A	Marble top x 1		E	Screw x 4	
B	Bracket x 1		F	Spring washer x 4	
C	Pedestal x 1		G	Metal washer x 4	
D	Base X 1		H	Large screw x 6	
			I	Allen key x 2	

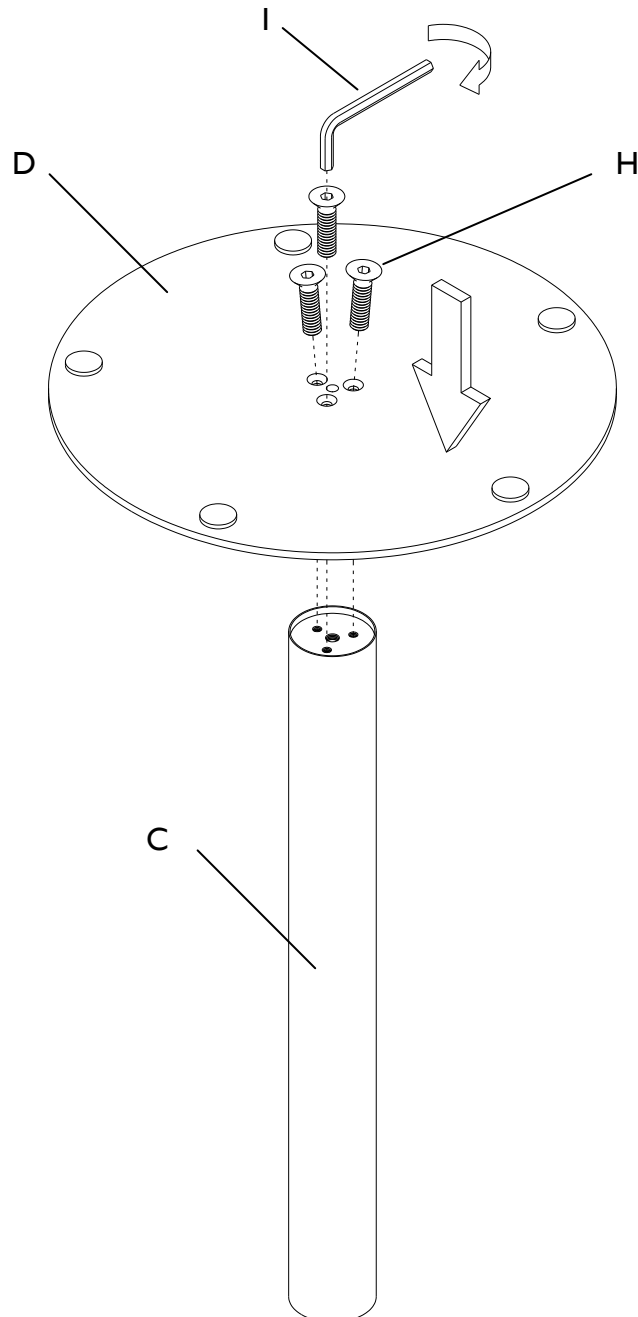
---

## Step by step assembly instructions

---

### Step One

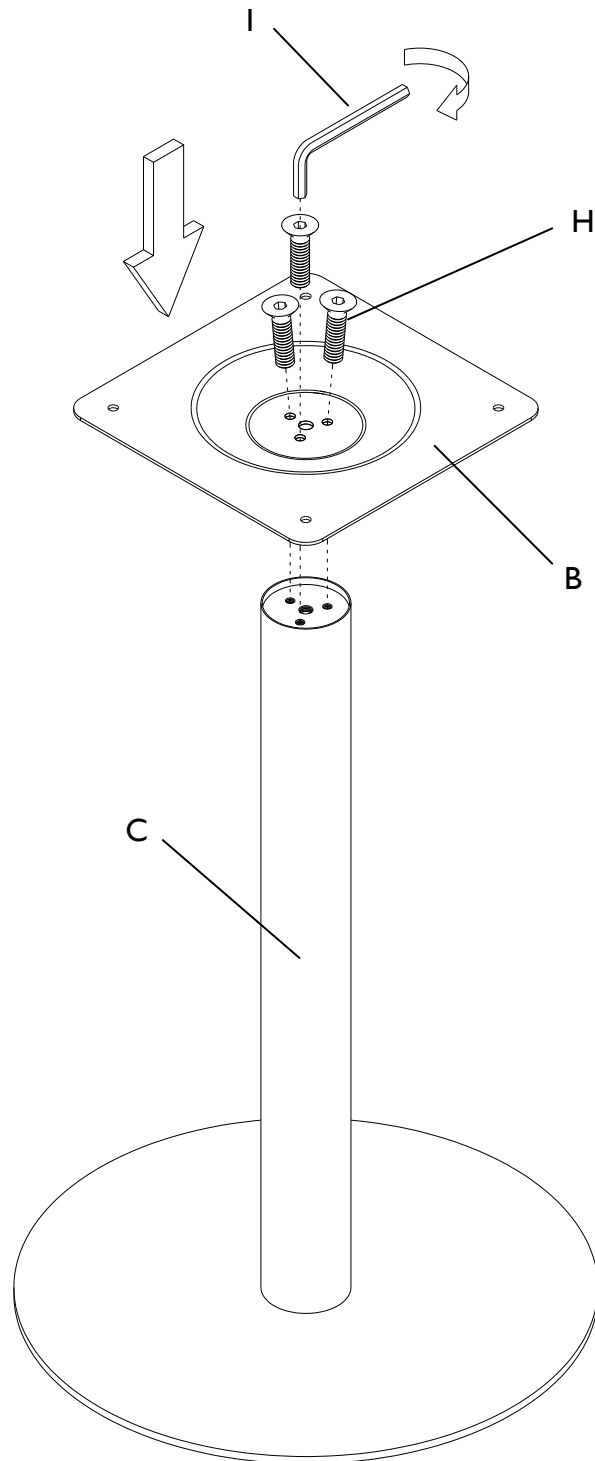
1. Position base (D) onto bottom of pedestal (C)
2. Thread the 3 bolts (H) through to secure and tighten with the allen key (I)
3. Turn over and place base on the floor, near to the desired final position of the table



---

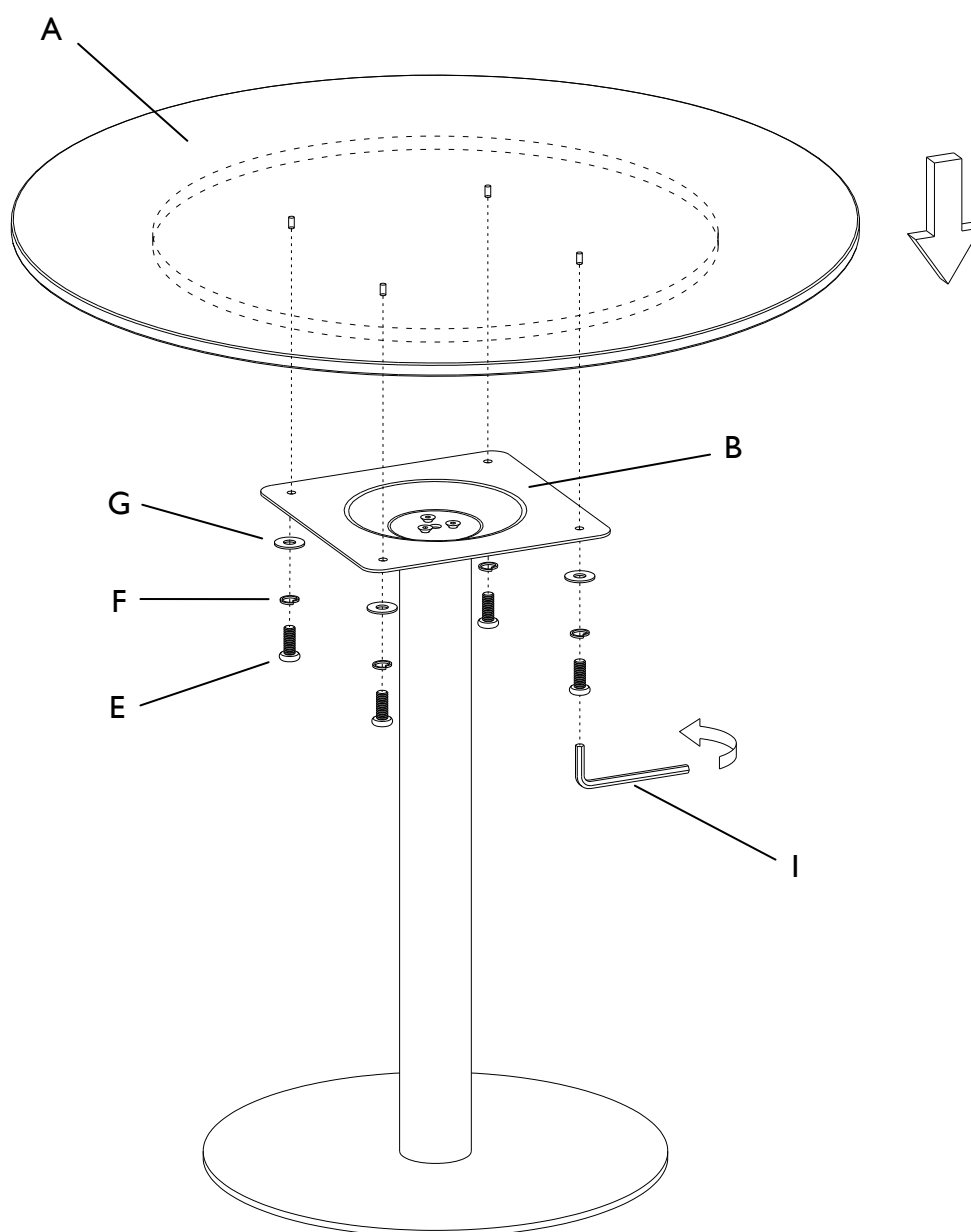
## Step Two

1. Locate the bracket (B) as shown below and secure using the bolts (H) with the allen key (I)



## Step Three

1. With 2 people carefully lower the marble top (A) onto the base ensuring all holes are aligned.
2. With 1 person supporting the top, secure the top to the base with the bolts (E) spring washers (F) and metal washers (G) using the allen key (I).
3. Ensure all bolts are fully tightened before use and check periodically.



---

## Care and Maintenance

---

Use water or soapy water for cleaning, do not use anything abrasive as this may damage the surface of the product.

Protect surfaces from scratches and marks by using mats and coasters.

---

## Safety instructions

---

### General warnings:

- Never drag furniture when moving it, always lift it.
- Periodically check all fixings to ensure none have come loose and re-tighten where necessary.
- Please take care when handling or moving the furniture, careless handling may cause damage or injury.
- Furniture can be dangerous if incorrectly installed. Assembly should be carried out by a competent person. No liability will be accepted for damage or injury caused by incorrectly installed or assembled furniture.
- It is recommended that before moving heavy objects to a new location they are completely disassembled to avoid personal injury or damage to the furniture. Please be careful to retain all fittings when doing this.

### WARNING:

- Do not place very hot or very cold items on the marble surface(s) unless adequately thick table mats are used to prevent such items from coming into contact with the marble.
- Do not sit or stand upon the marble surface(s)
- Do not use the marble as a chopping surface. Do not strike the marble with hard or pointed items.
- When cleaning the marble tops, use a moist cloth; do not use washing powders or any other substances containing abrasives since these substances can scratch and damage the marble surface.
- Oils, fats and liquids can damage and stain the surface of the marble. Any spills should be wiped and dried immediately using a soft cloth.