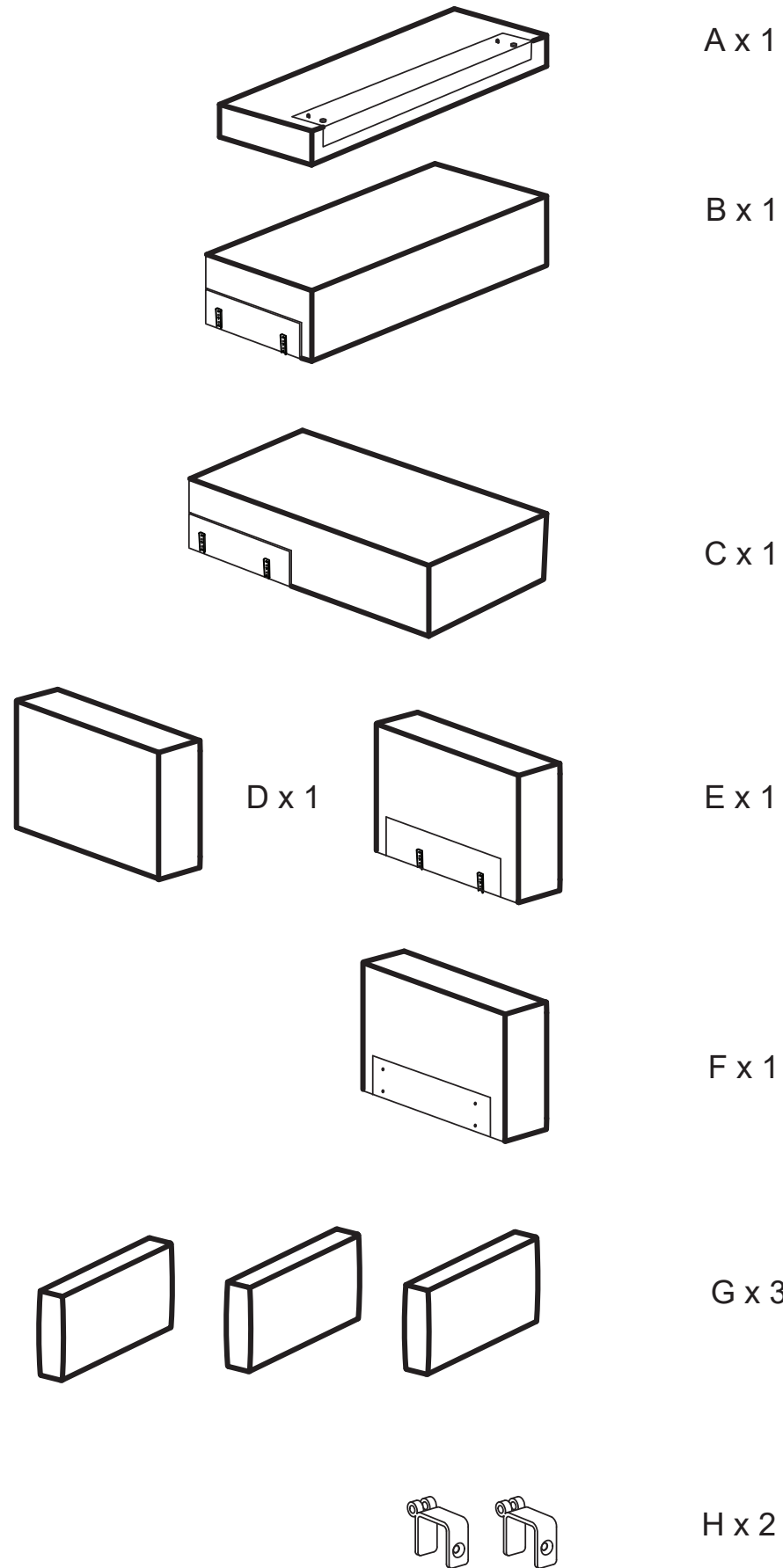


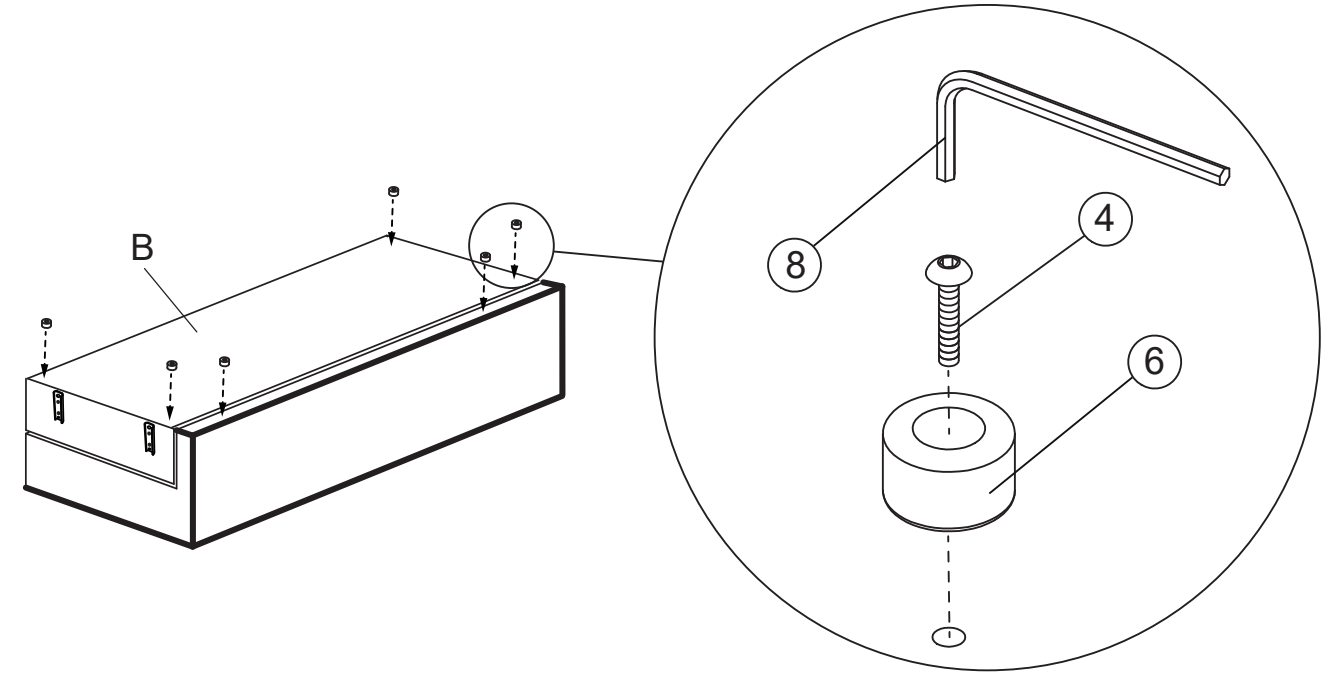


- ① x6
- ② x2
- ③ x2
- ④ x18
- ⑤ x4
- ⑥ x18
- ⑦ x4
- ⑧ x1
- ⑨ x1



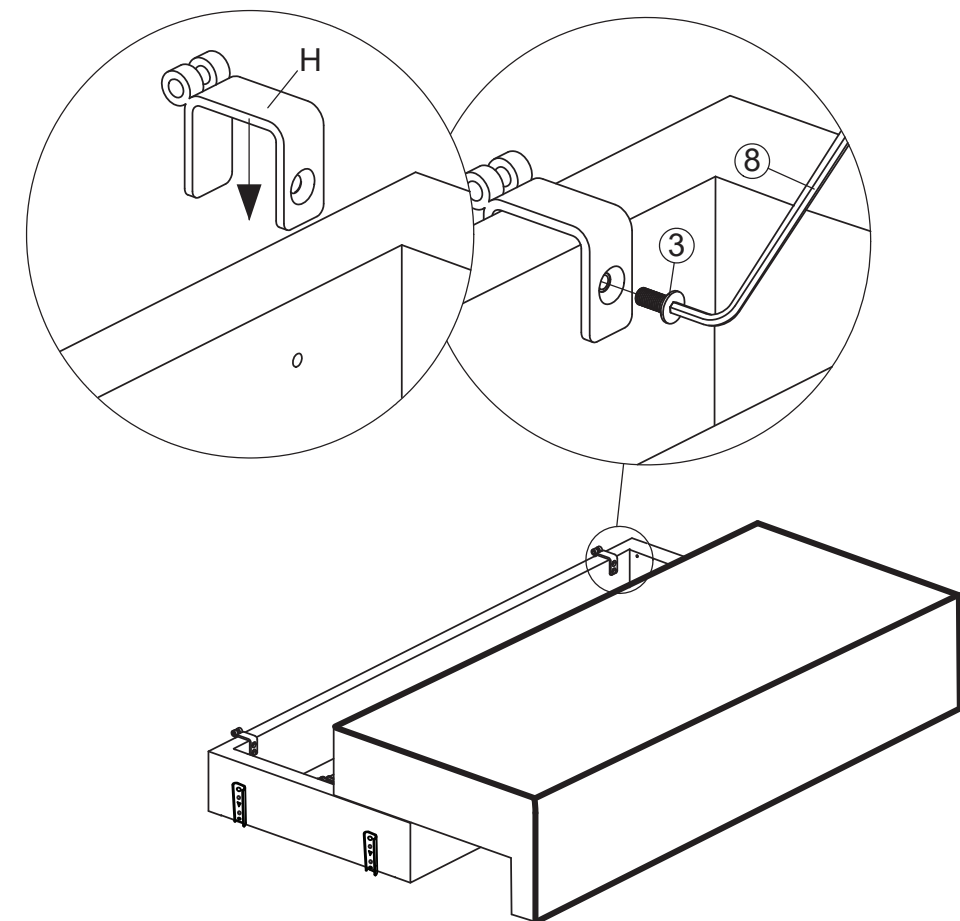
1.

- ⑥ x6
- ④ x6



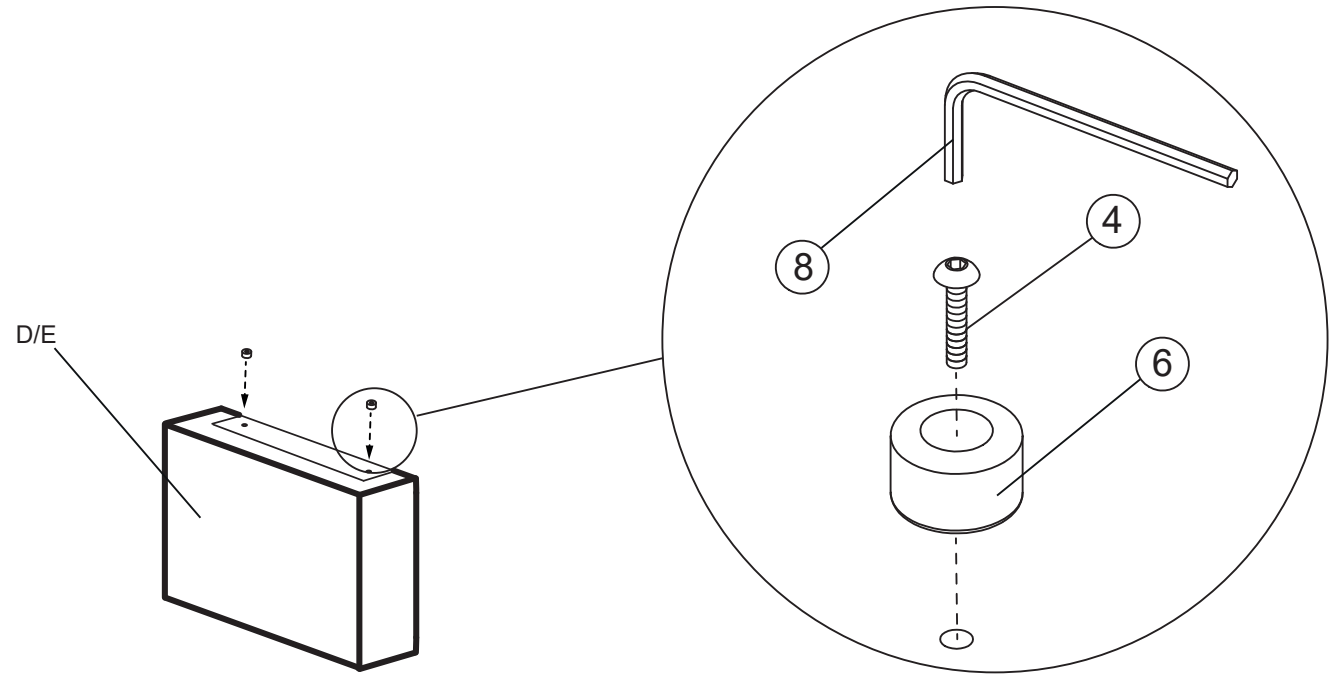
2.

- ③ x2

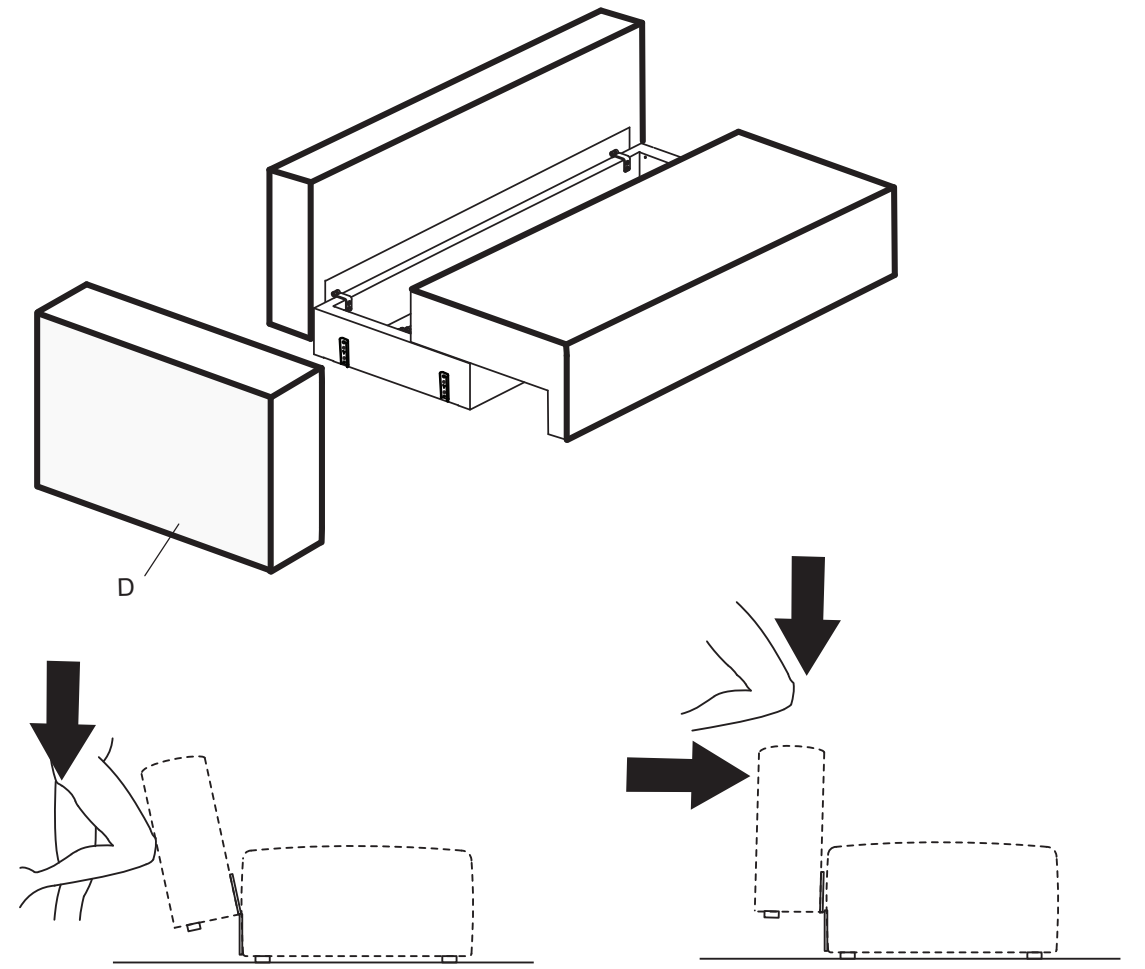


3.

⑥x4      ④x4

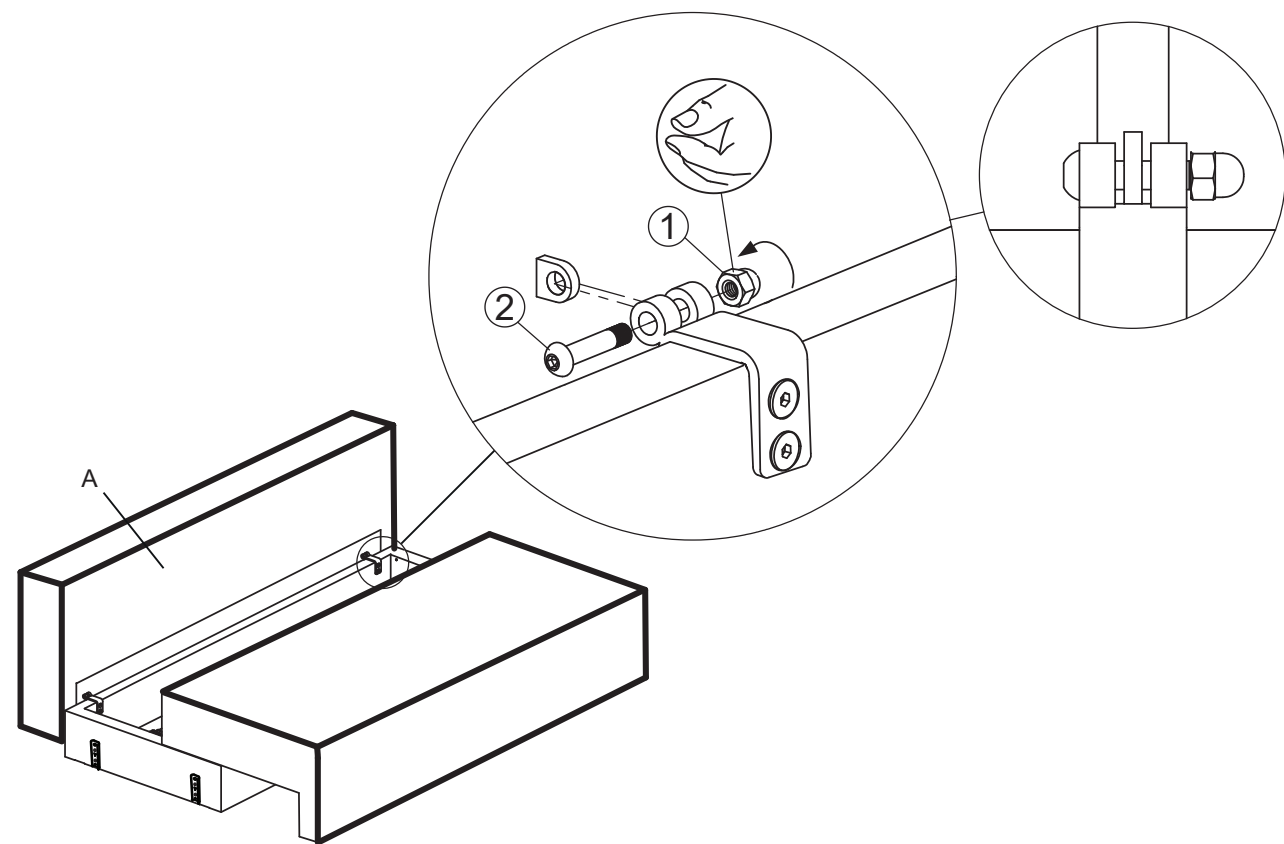


5.



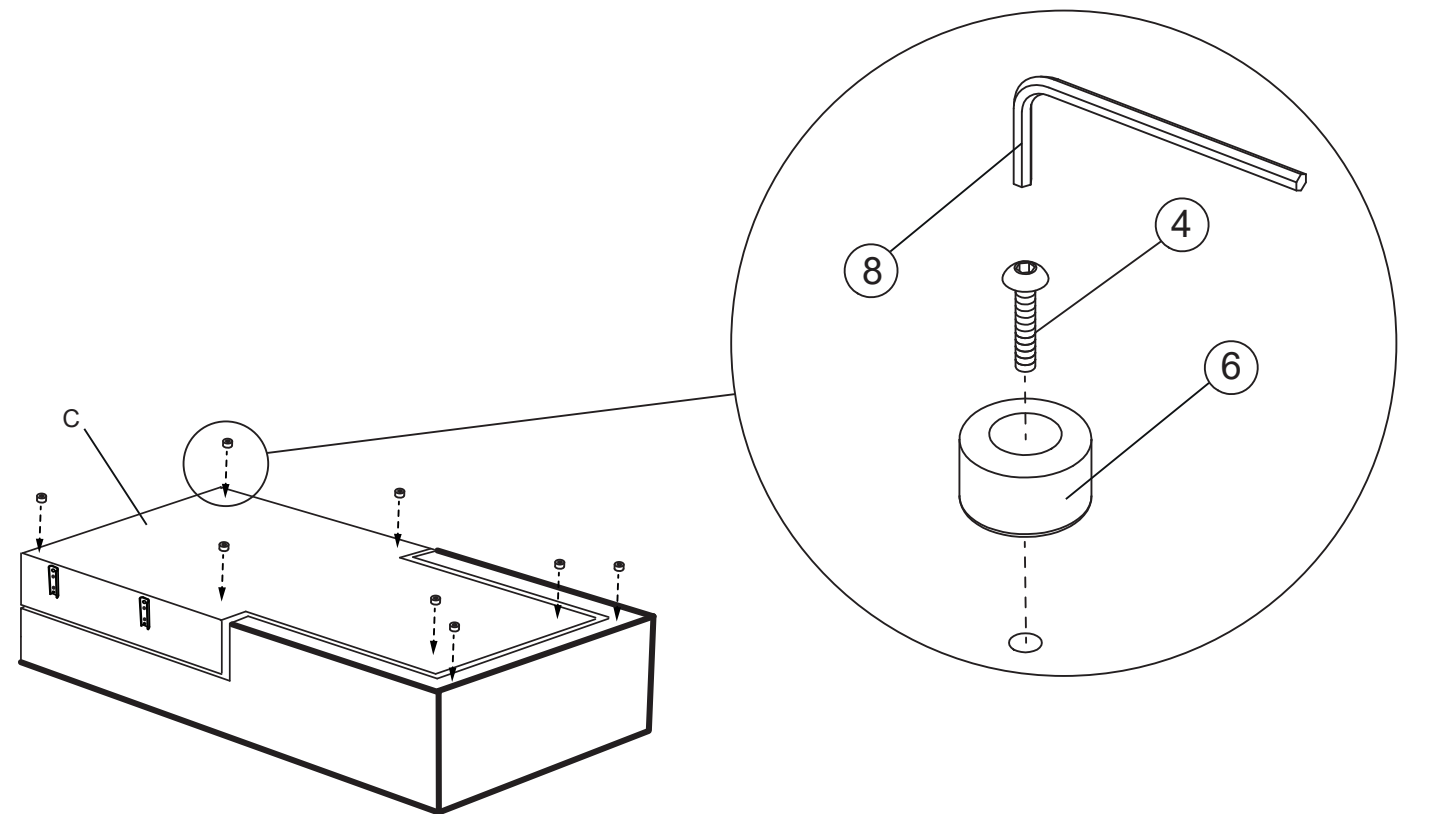
4.

①x2      ②x2



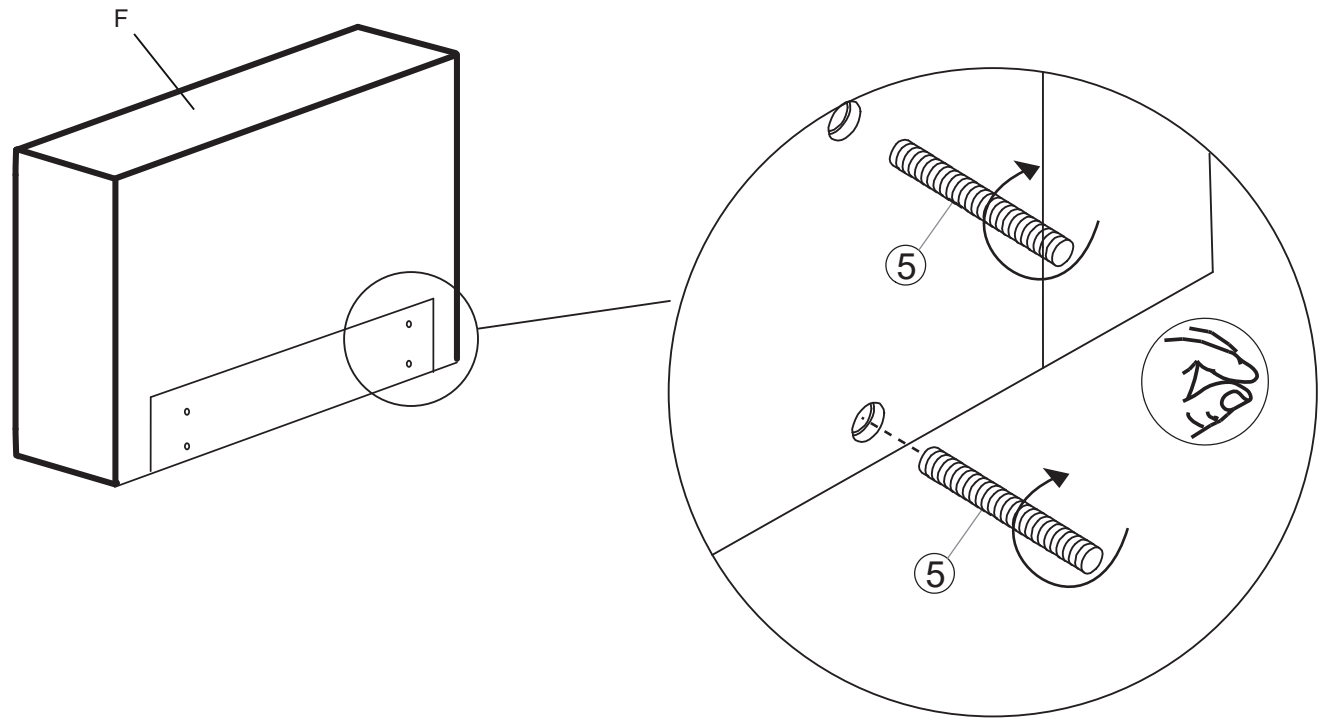
6.

⑥x8      ④x8

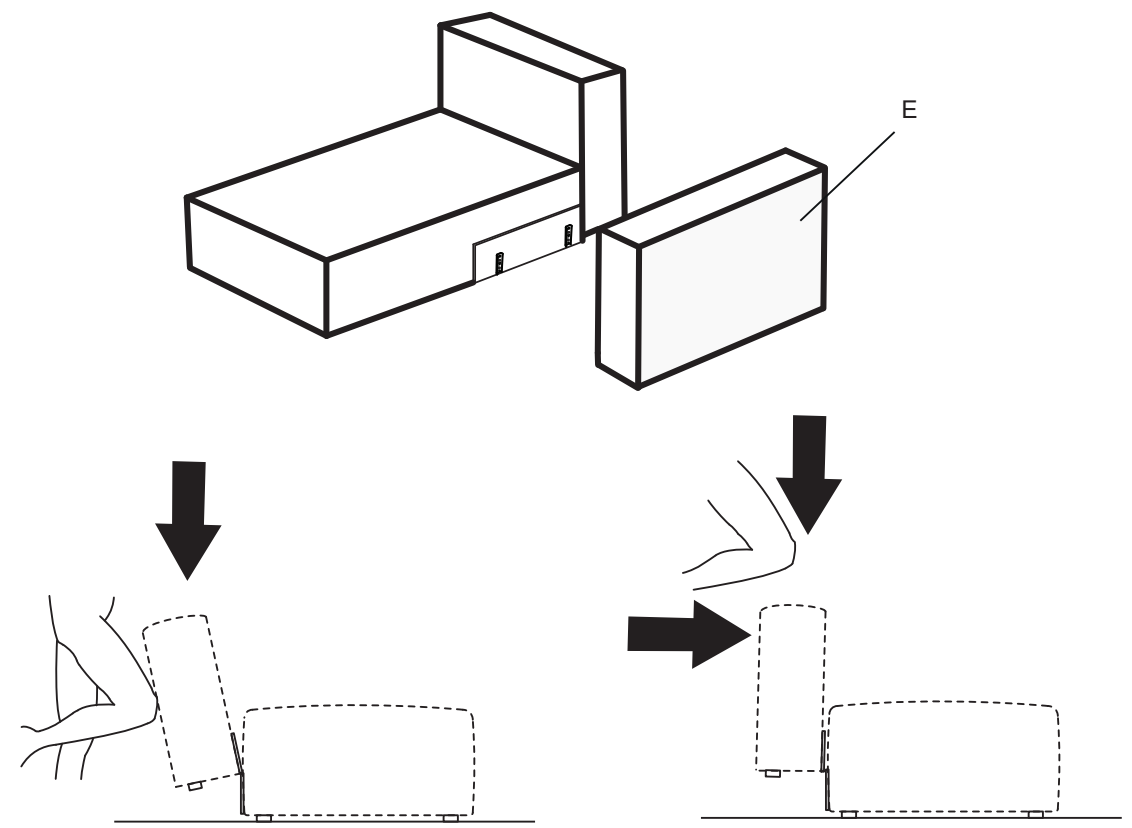


7.

⑤x4 

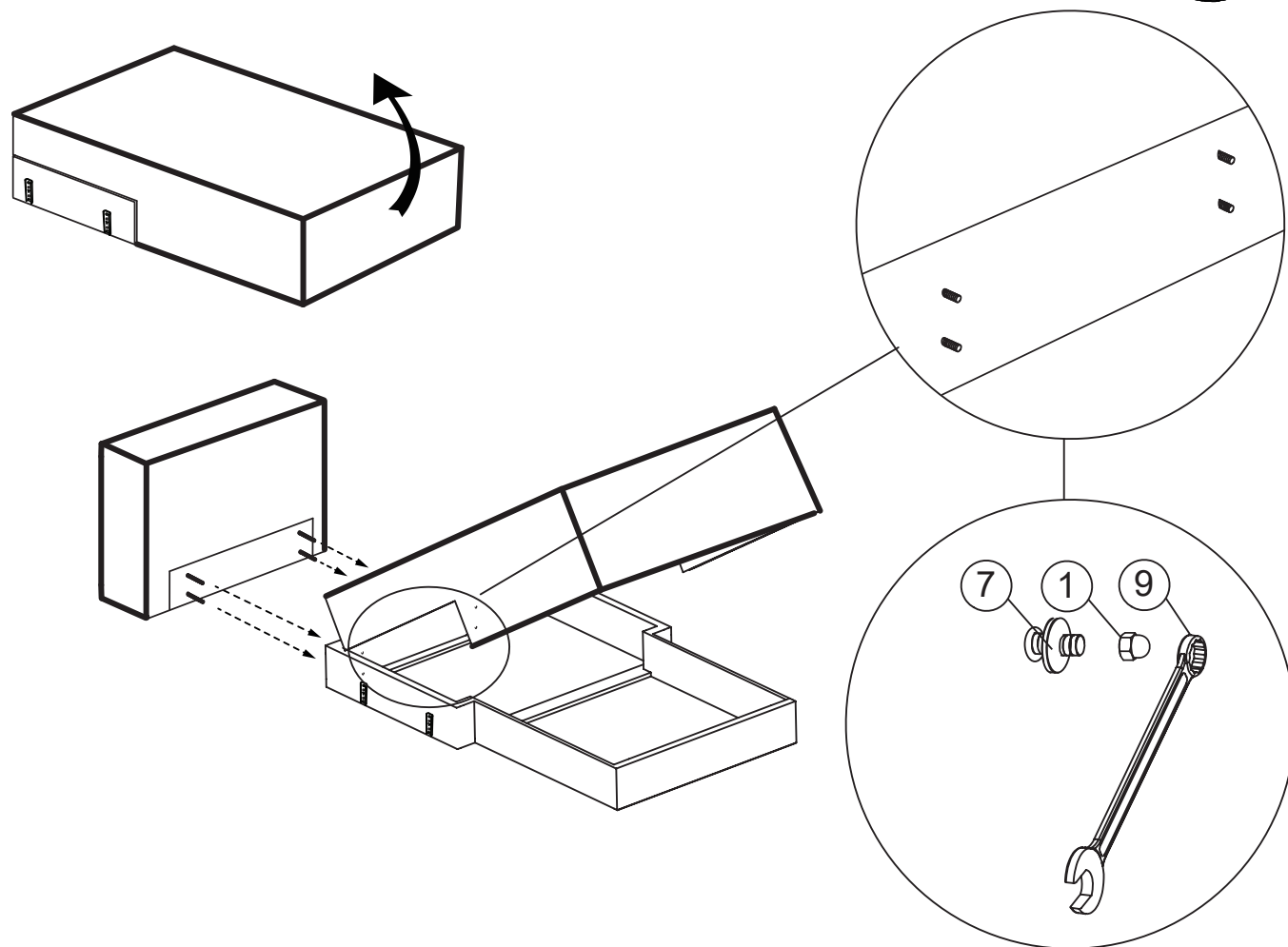


9.



8.

①x6  ⑦x4 



10.

