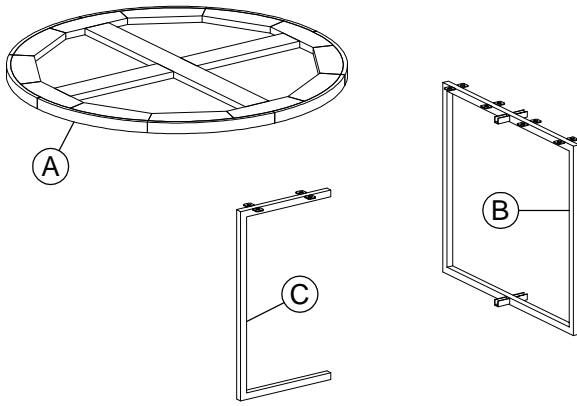


ASSEMBLY INSTRUCTIONS

TABLE CLASS 120



Parts Check List

Code	Components	Qty
Ⓐ	TOP TABLE	x1
Ⓑ	LEG PART A	x1
Ⓒ	LEG PART B	x2

Fittings Check List

Code	Components	Qty
01	SHORT BOLT	x8
02	LONG BOLT	x16
03	SPRING WASHER	x16
04	FLAT WASHER	x16
05	ALLEN KEY	x1

- Please do not discard any of the packaging until you have checked all the parts and the packs of fittings.
- Before you begin to assemble your new piece of furniture, please check to ensure that all parts have been supplied.
- Follow instructions closely as deviation from them may void your warranty and present a possible safety risk.
- It is recommended that assembly is done on a soft surface like carpet to avoid any damage.
- Periodically check and re-tighten any fasteners. wipe down all surfaces weekly with a clean cloth. do not clean any surfaces with harsh abrasives or chemicals.

