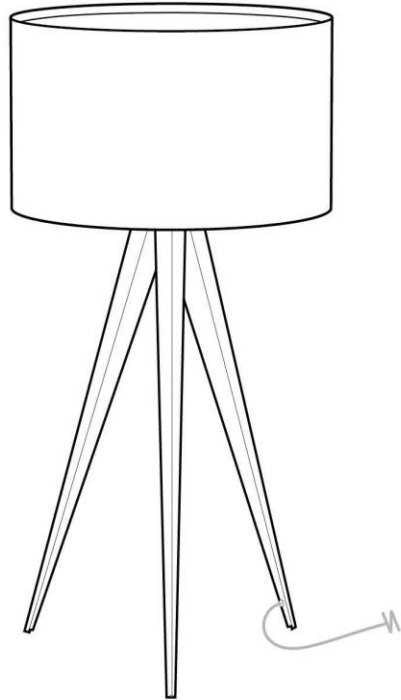


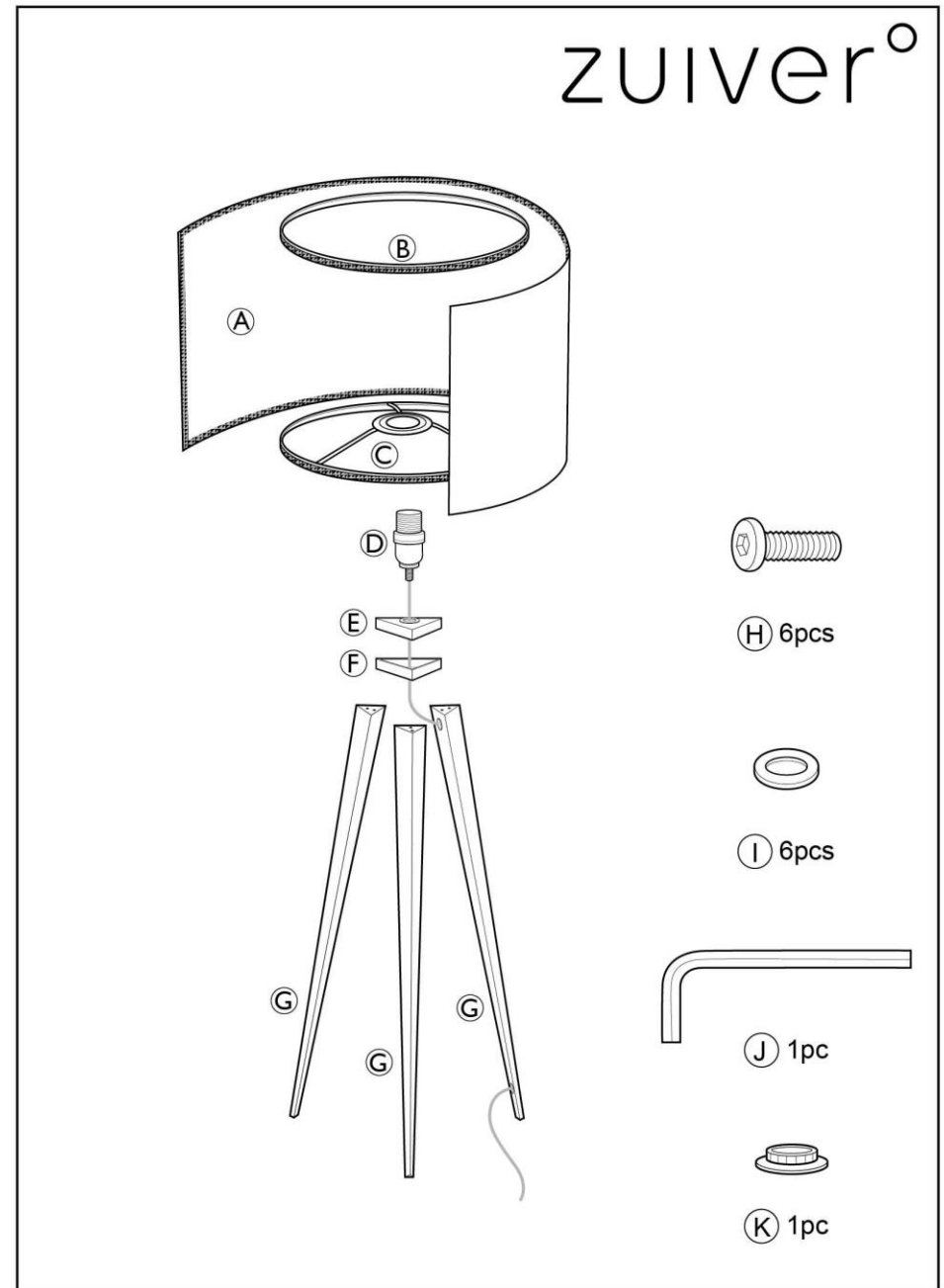
# ASSEMBLY INSTRUCTIONS

5200006, 5200007, 5200008, 5200009 TABLE LAMP TRIPOD

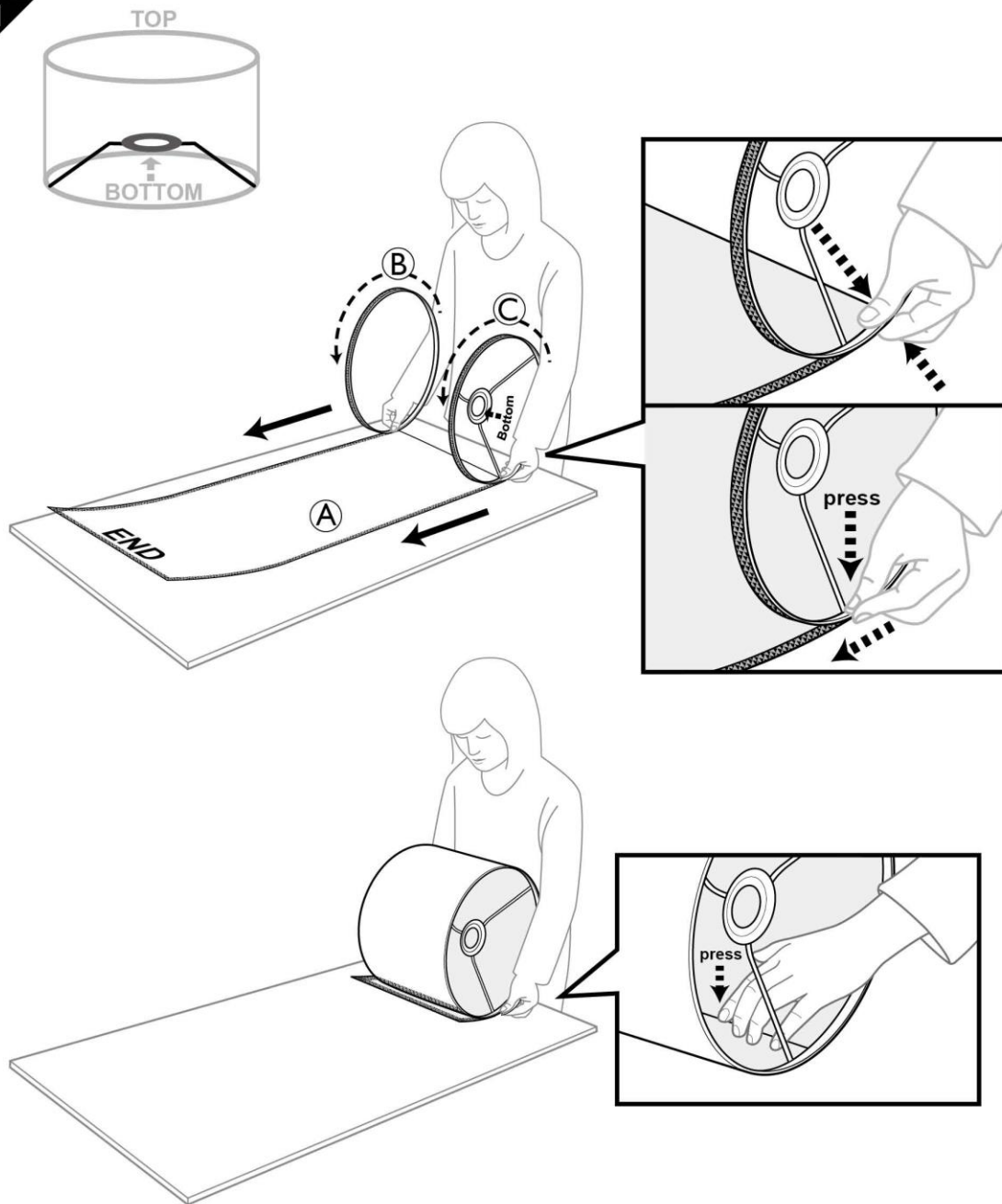


LAMPSHADE patent  
USA: US 8,292,476  
China: ZL200820000799.4  
EU: 08014421.5-2423  
Japan: 3145825  
Taiwan: M350672

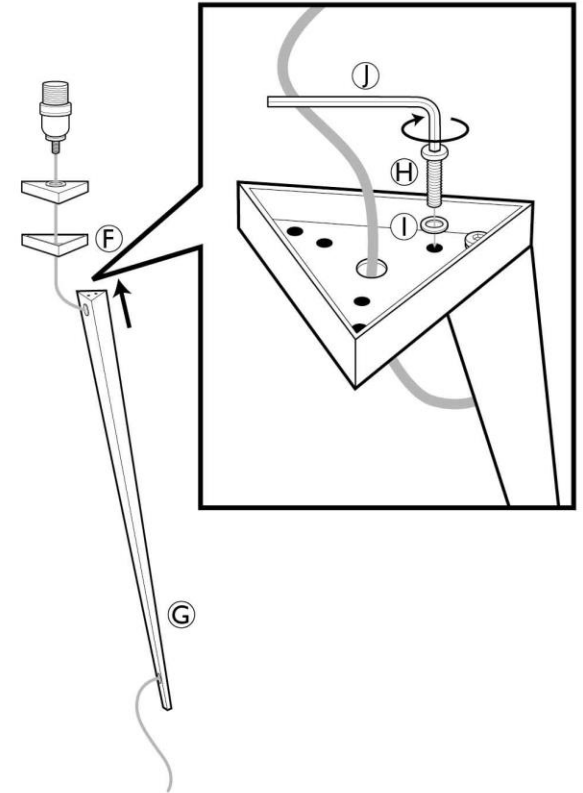
**Caution** : If the external flexible cable or cord of this luminaire is damaged, it should be replaced by a qualified person in order to avoid a hazard.



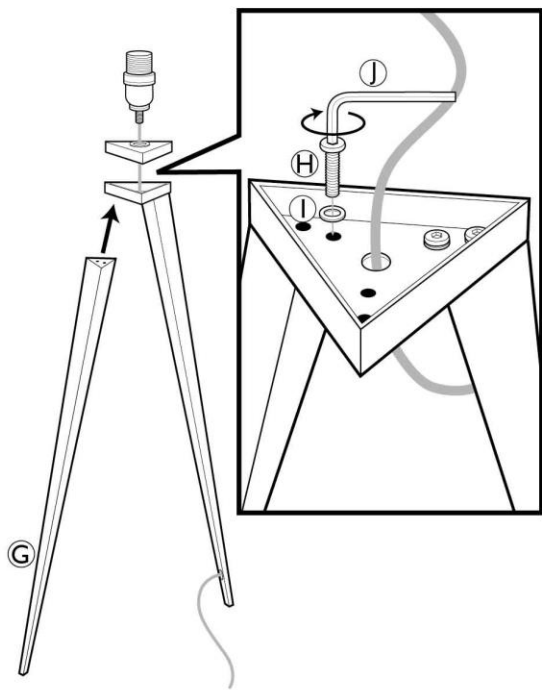
1



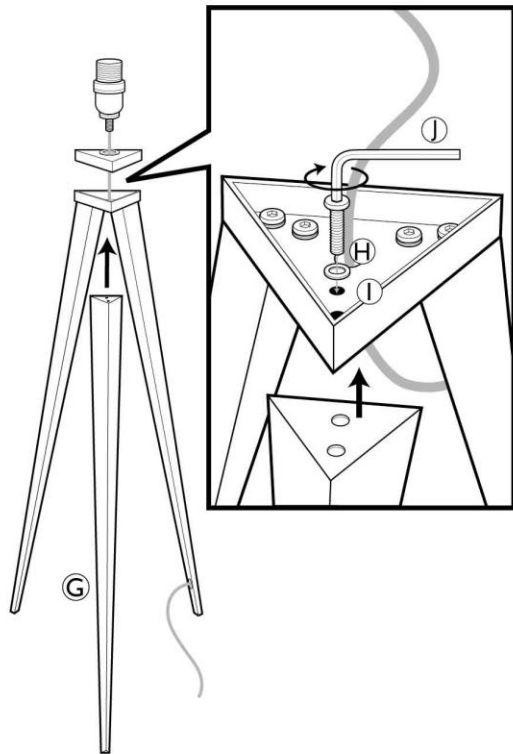
2



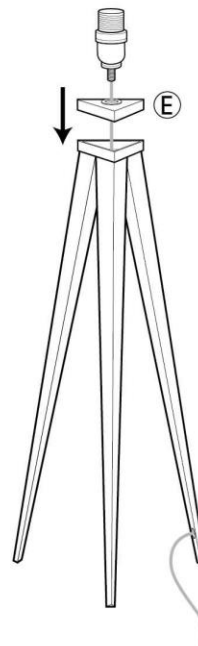
3



4

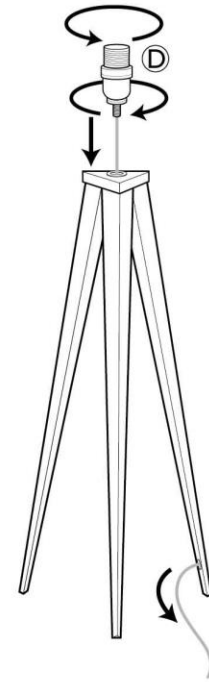


5



6

COUNTER CLOCKWISE



7

