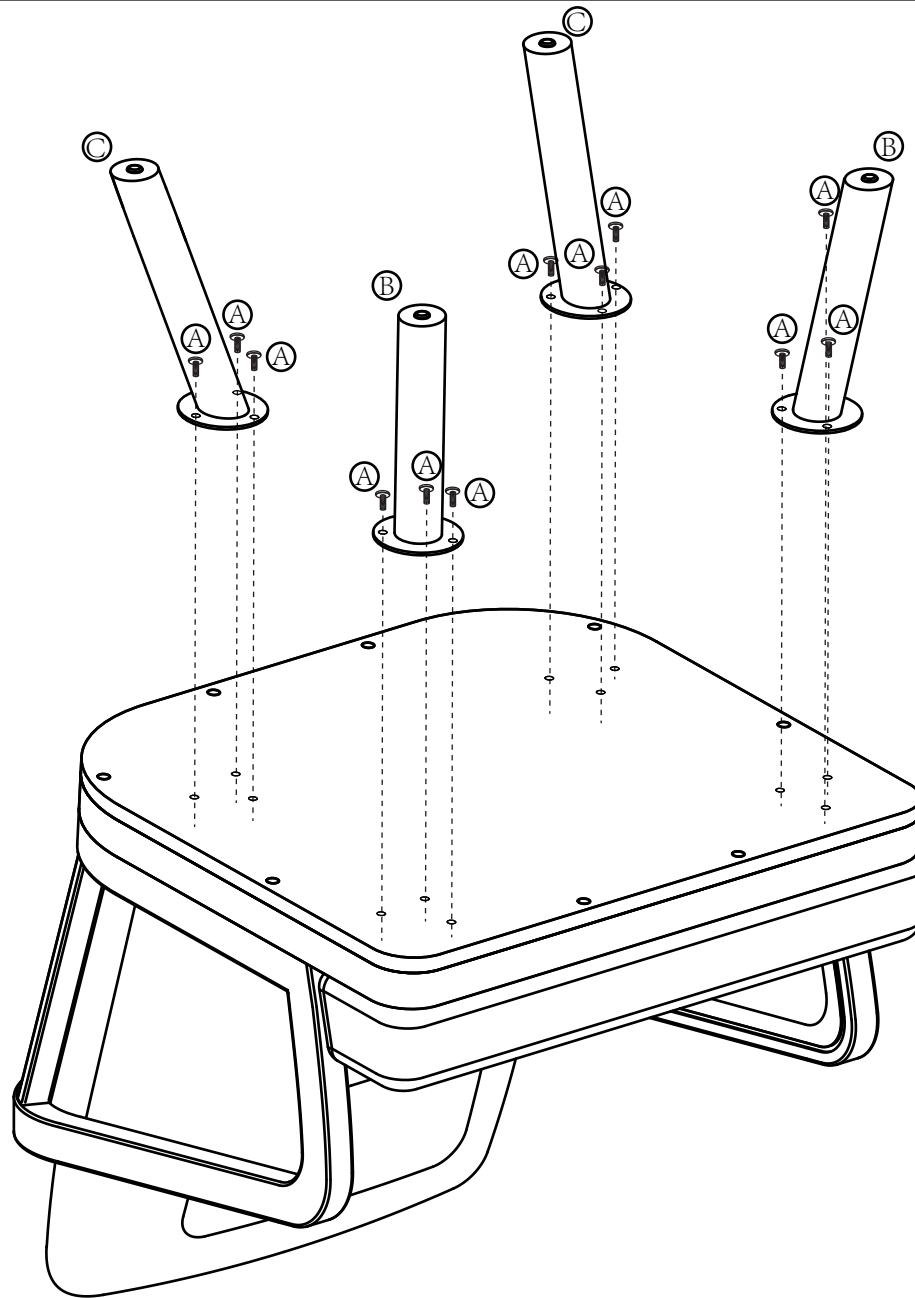


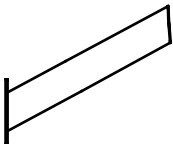
## COMPONENT PARTS

## FITTINGS



Ⓐ  ×12  
(M6×20mm)

Ⓑ  ×2

Ⓒ  ×2

## COMPONENT CHECKLIST

PART	No.	Qty.	
Seat	01	1	<input type="checkbox"/>

## TOOLS REQUIRED



Allen key (supplied)