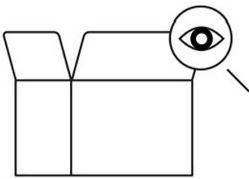
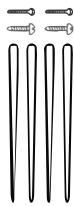


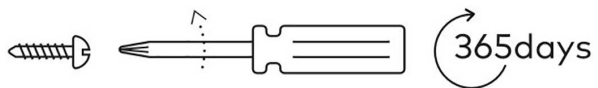
①

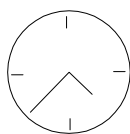


②

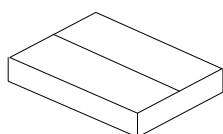


③





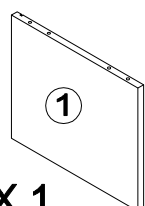
45 min



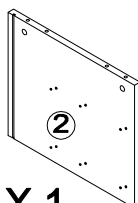
x1



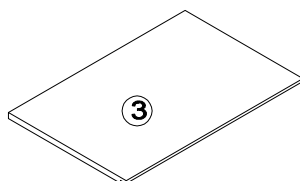
x2



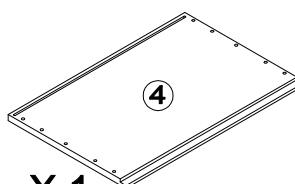
X 1



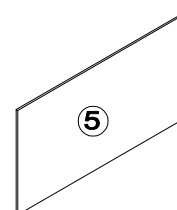
X 1



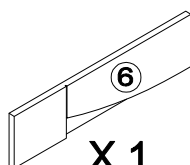
X 1



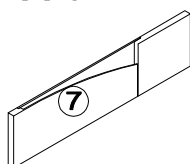
X 1



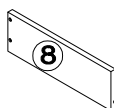
X 1



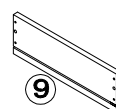
X 1



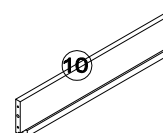
X 1



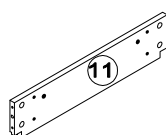
X 2



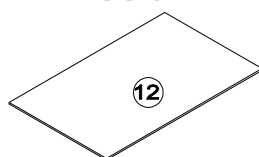
X 2



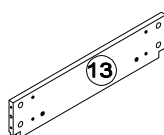
X 2



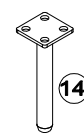
X 1



X 2



X 1



X 4



A = 12PCS



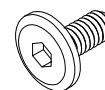
B = 12PCS



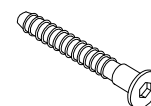
C = 16PCS
 $\phi 8 \times 30\text{mm}$



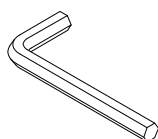
D = 4PCS
 $\phi 8 \times 25\text{mm}$



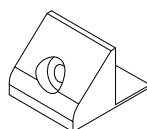
E = 16PCS
M6 x 15mm



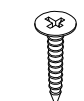
F = 6PC



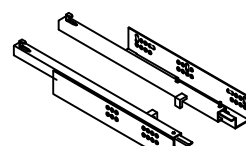
G = 1PC
4mm



H = 8PCS



I = 8PCS
 $\phi 3 \times 15\text{mm}$



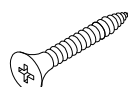
J = 2SET



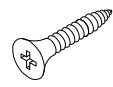
K = 24PCS
 $\phi 4 \times 14\text{mm}$



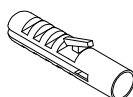
L = 12PCS
 $\phi 21\text{mm}$



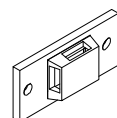
M = 8PCS
 $\phi 4 \times 30\text{mm}$



N = 8PCS
 $\phi 4 \times 25\text{mm}$



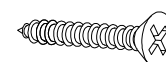
O = 4PCS



P = 4PCS



Q = 2PCS

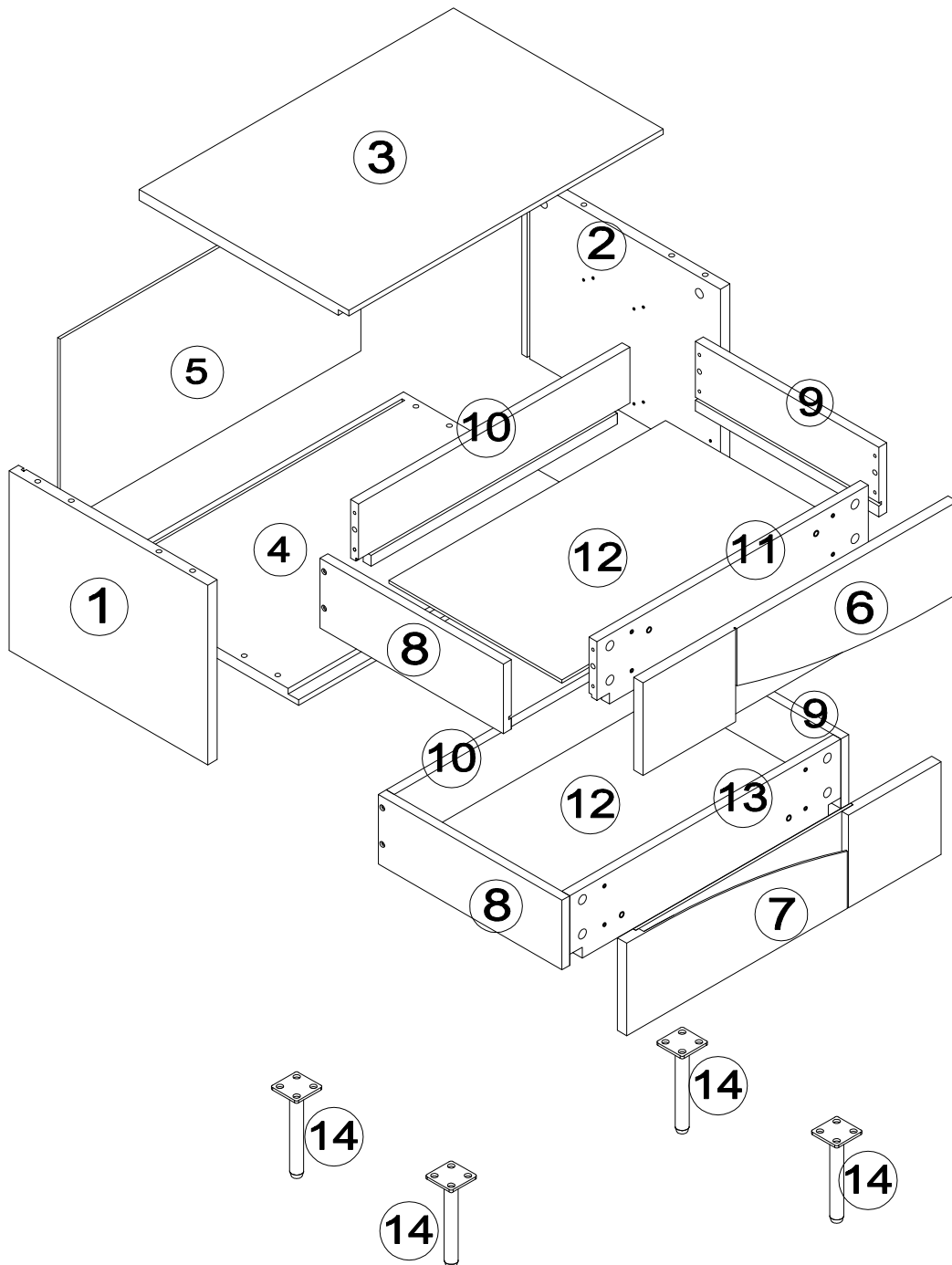


R = 4PCS
 $\phi 3.5 \times 40\text{mm}$



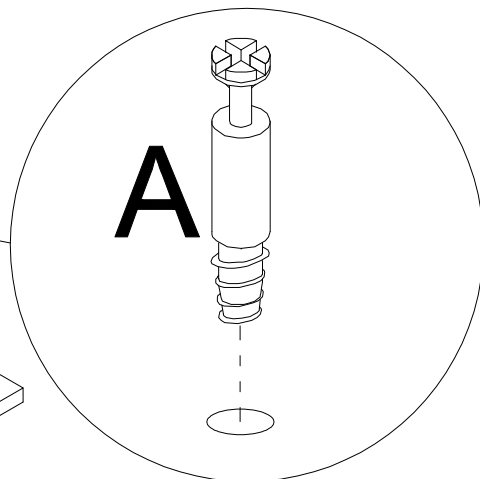
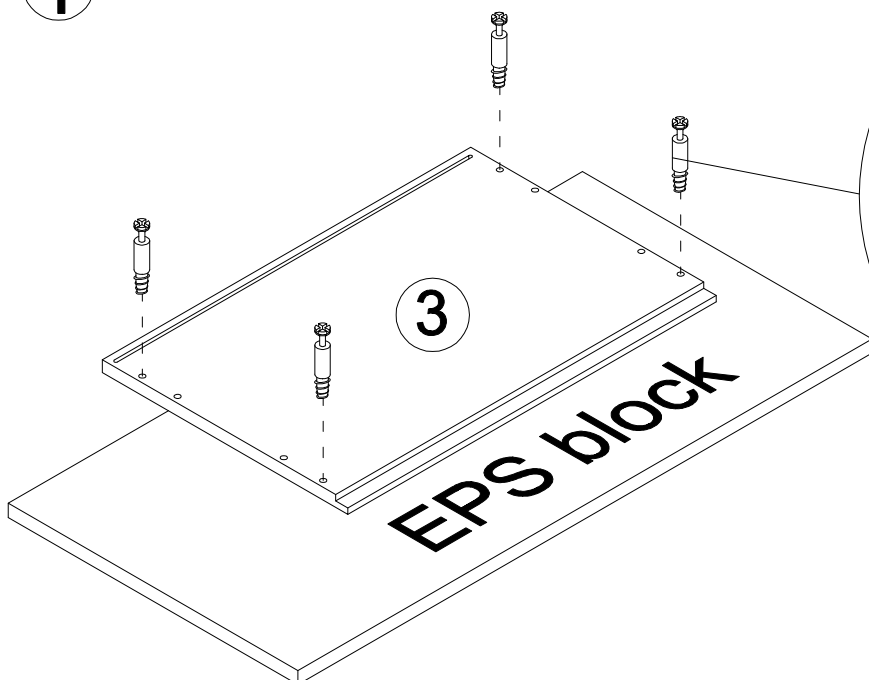
S = 4PCS
 $\phi 3.5 \times 19\text{mm}$

CC1976M01

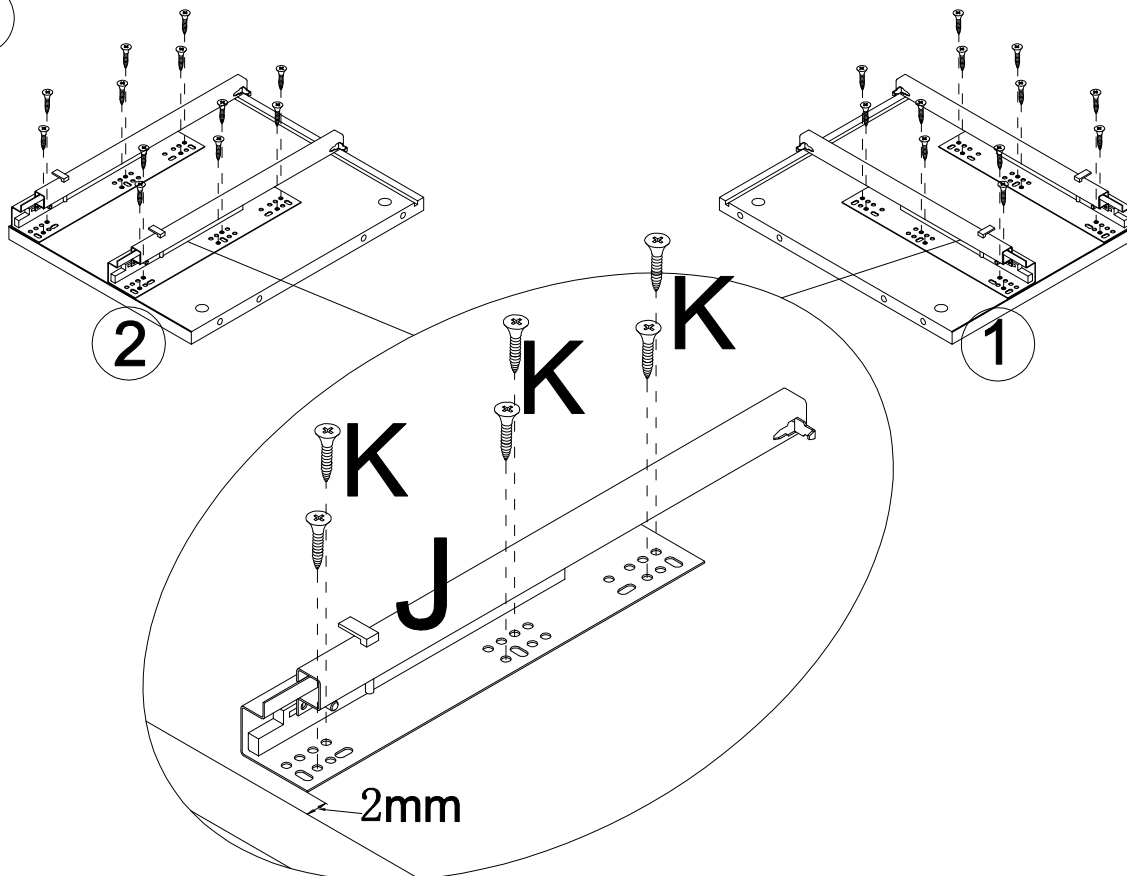




1

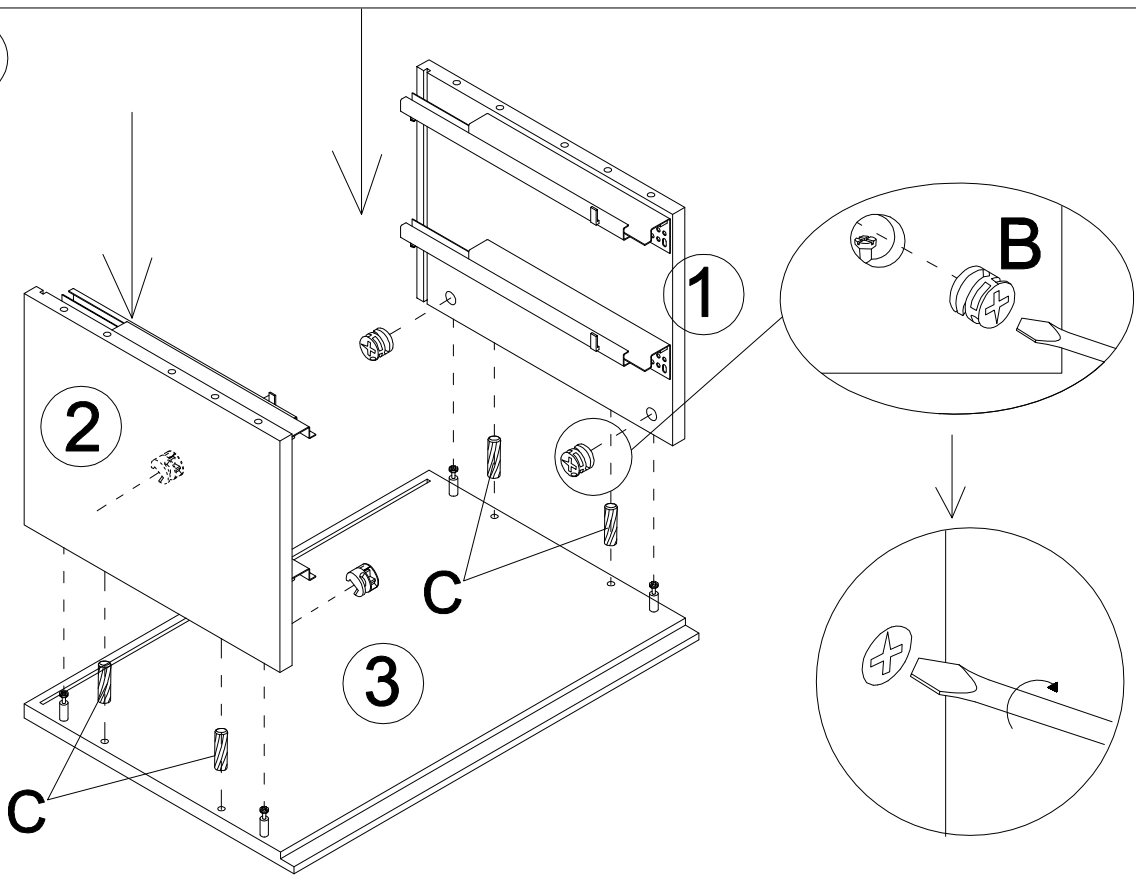


2

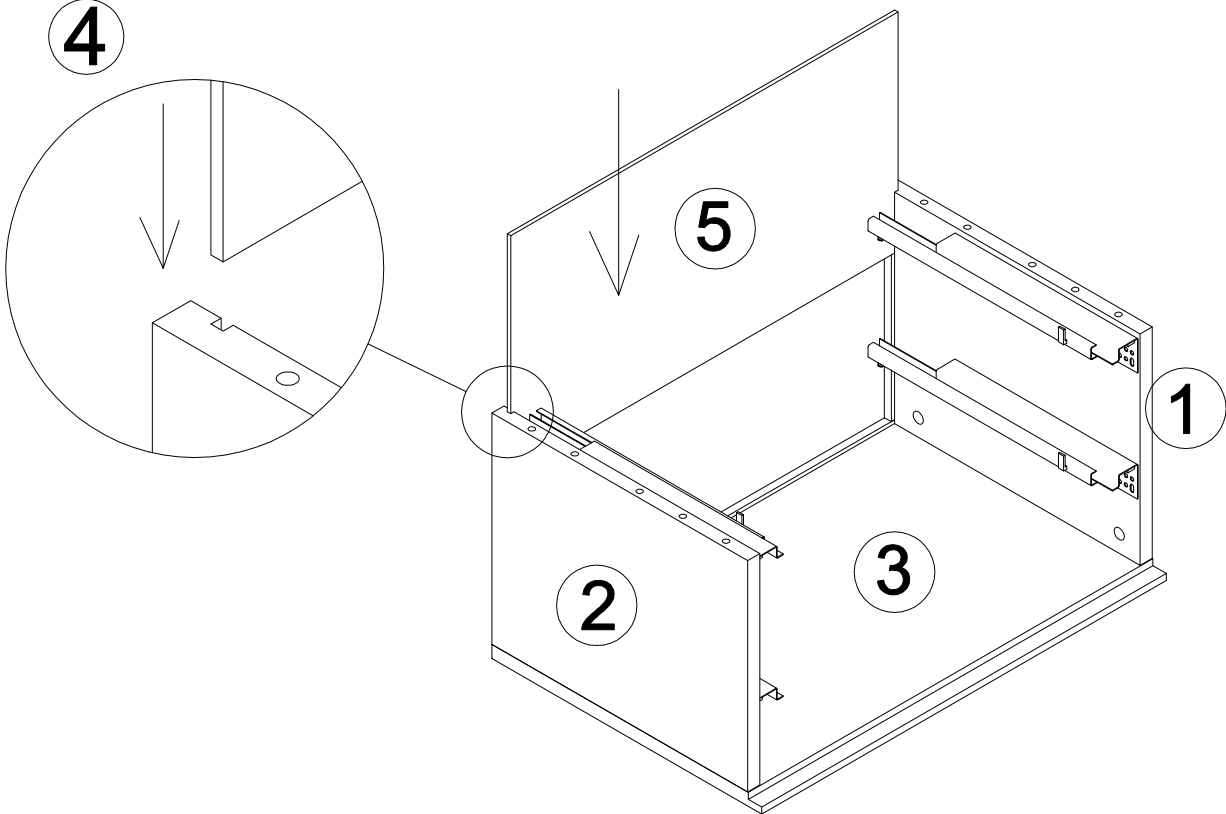




3

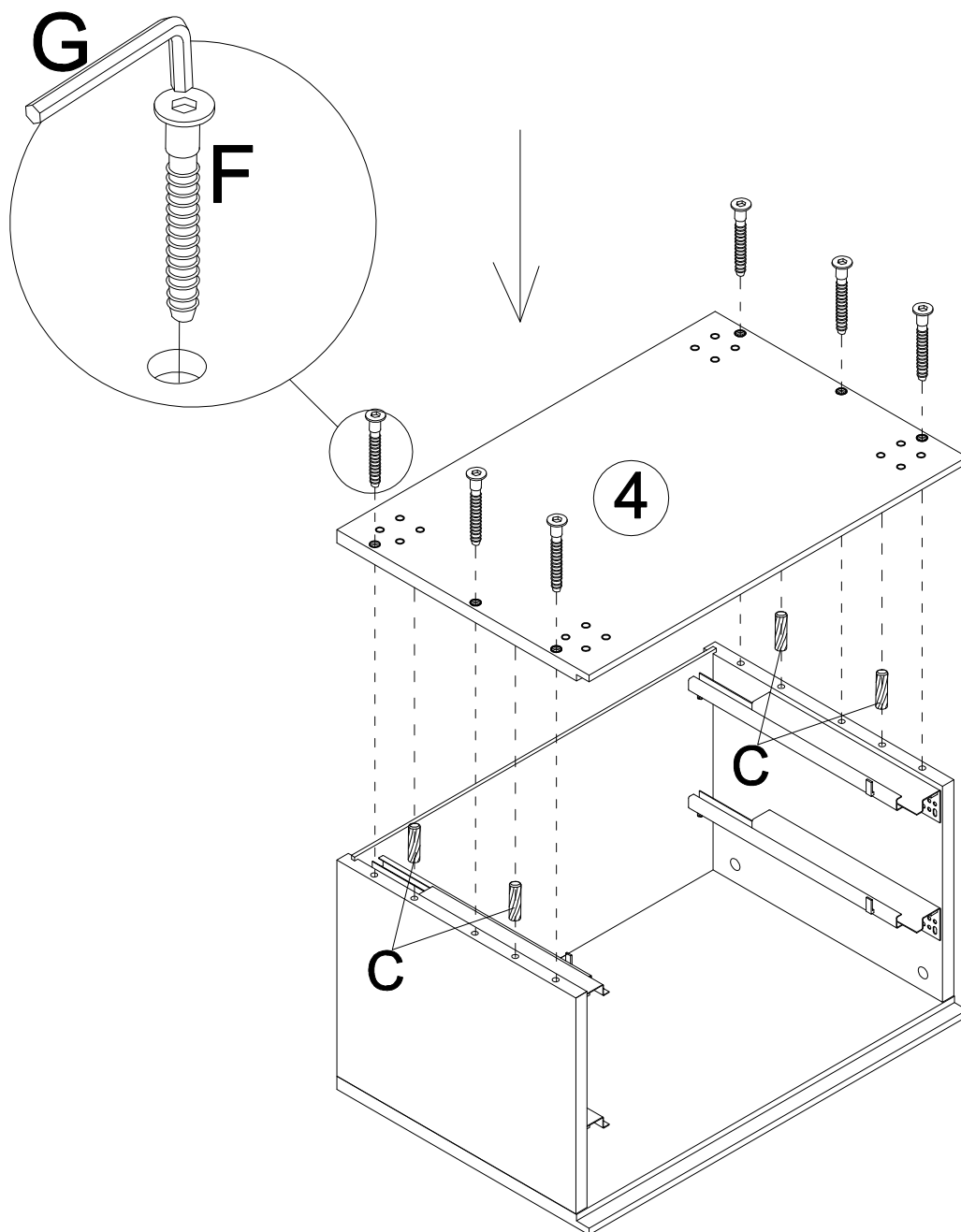


4





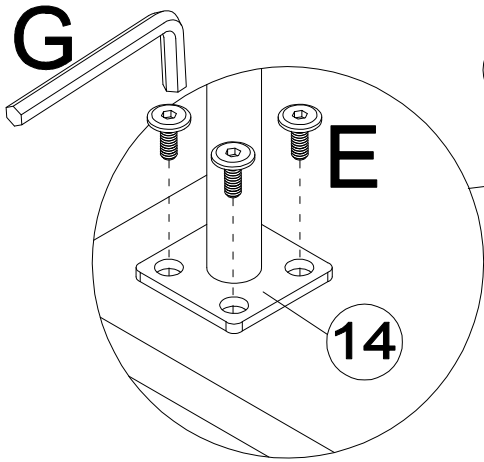
5





6

G

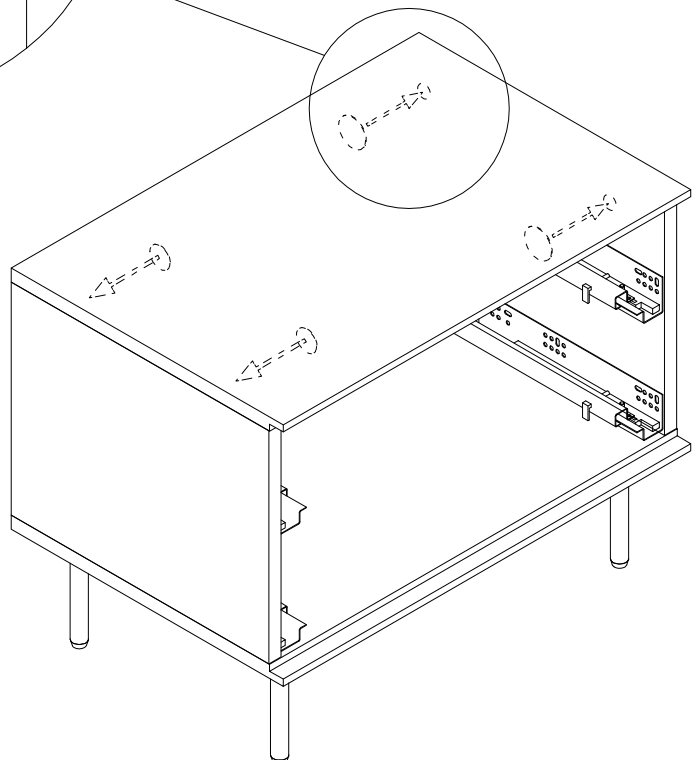
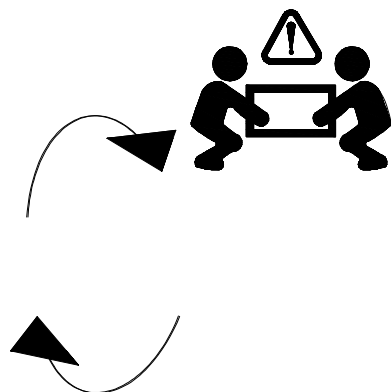
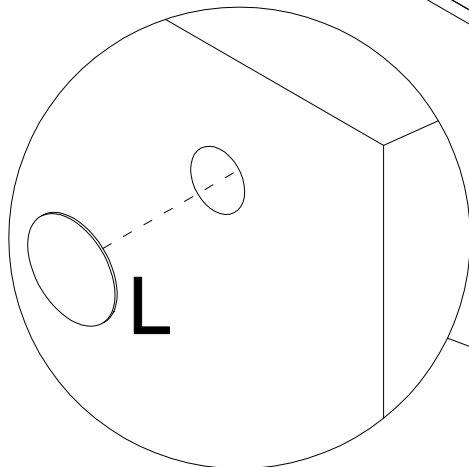


14

14

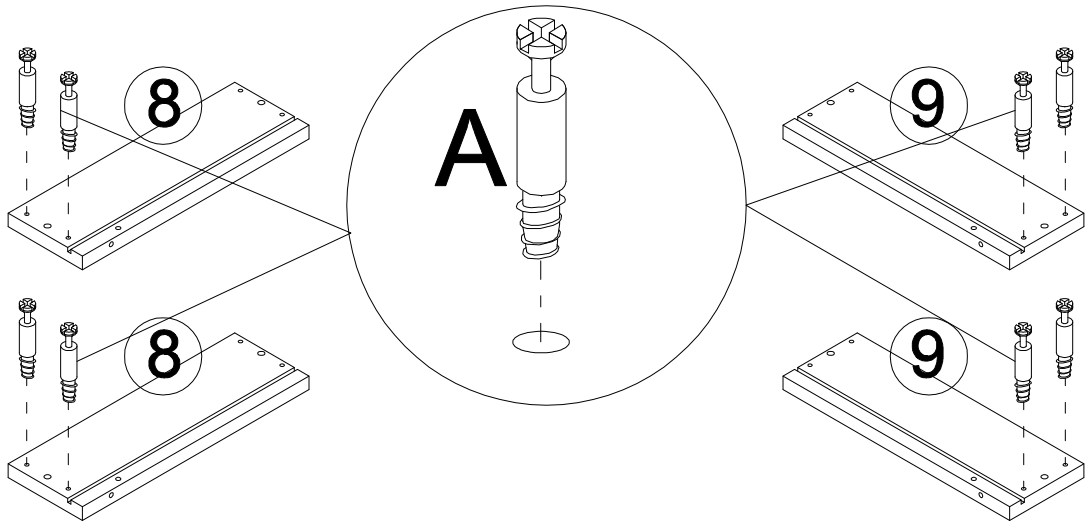
14

14

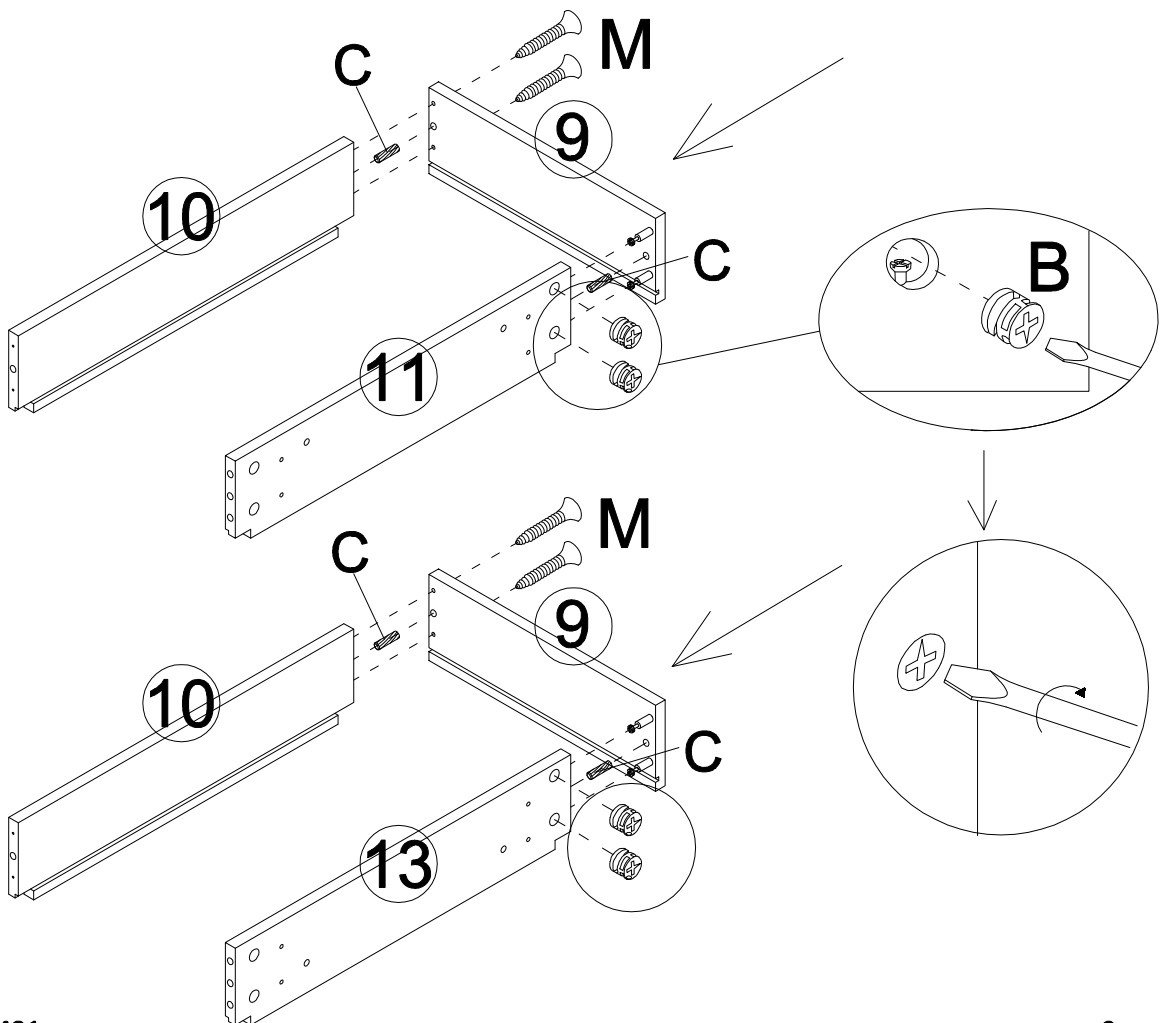




7

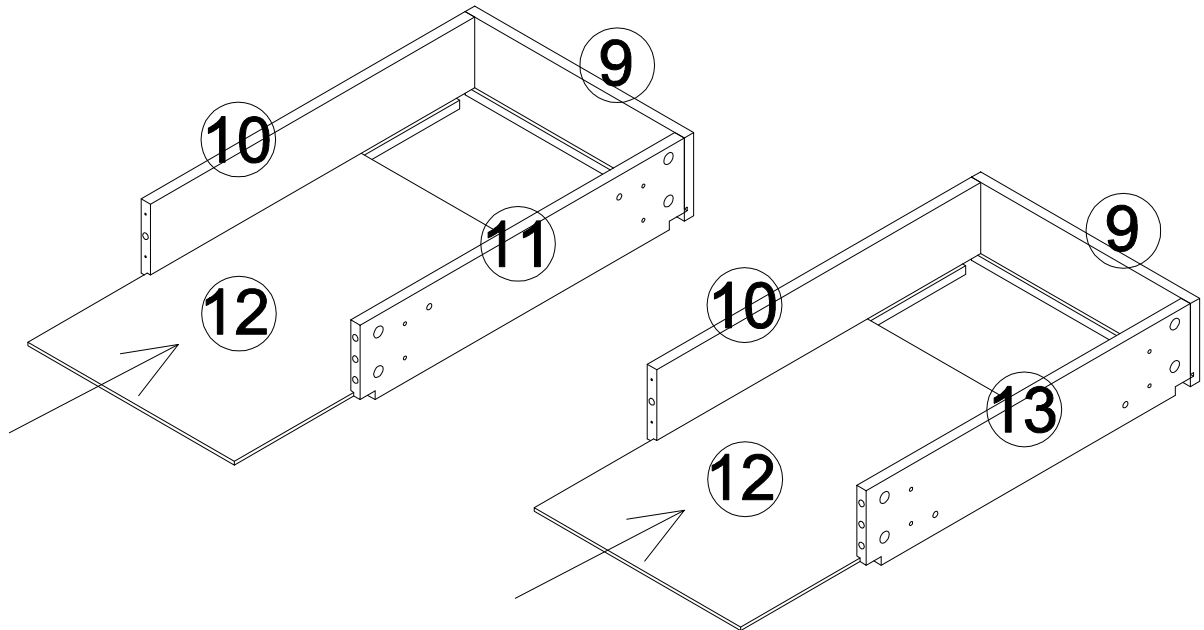


8

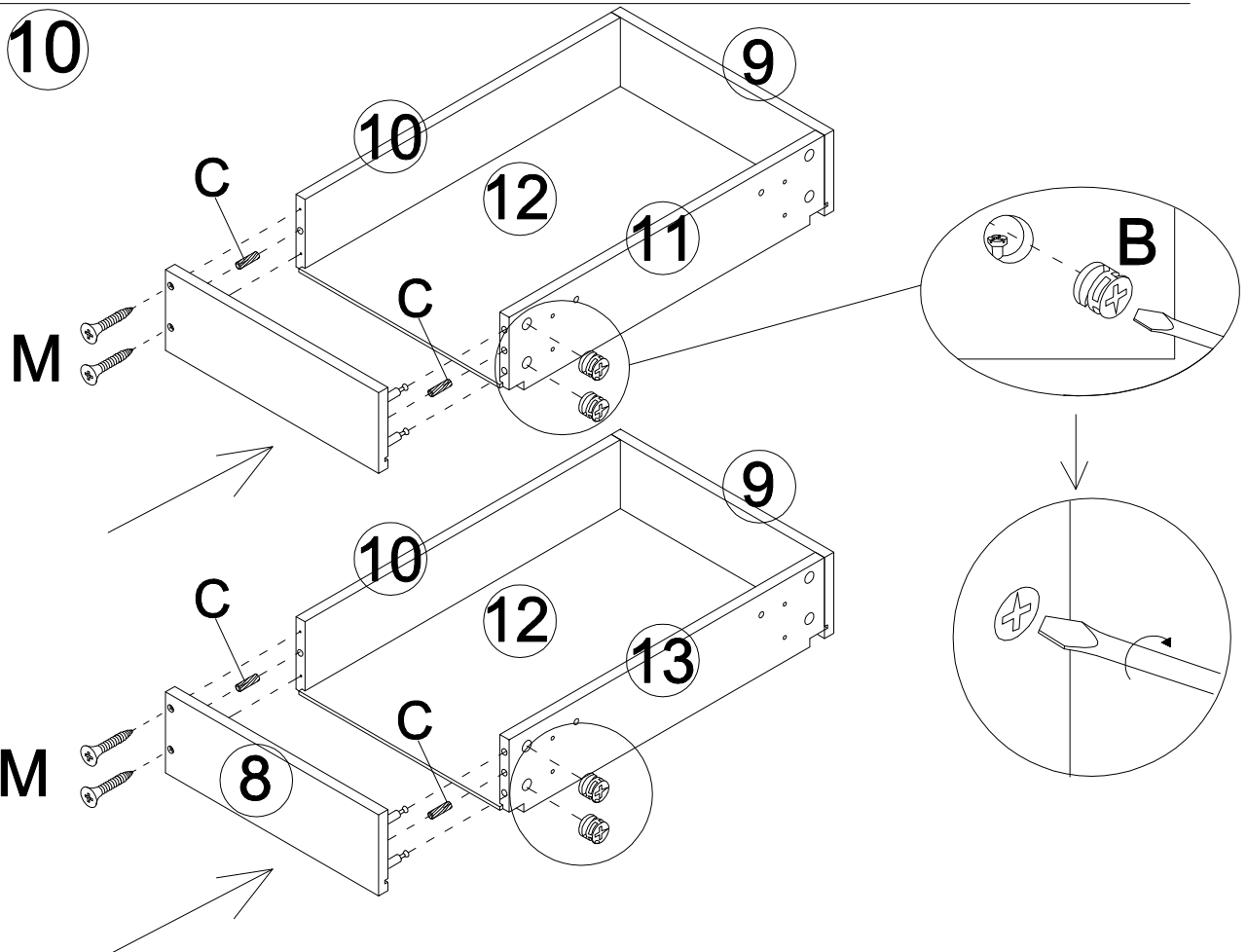




9

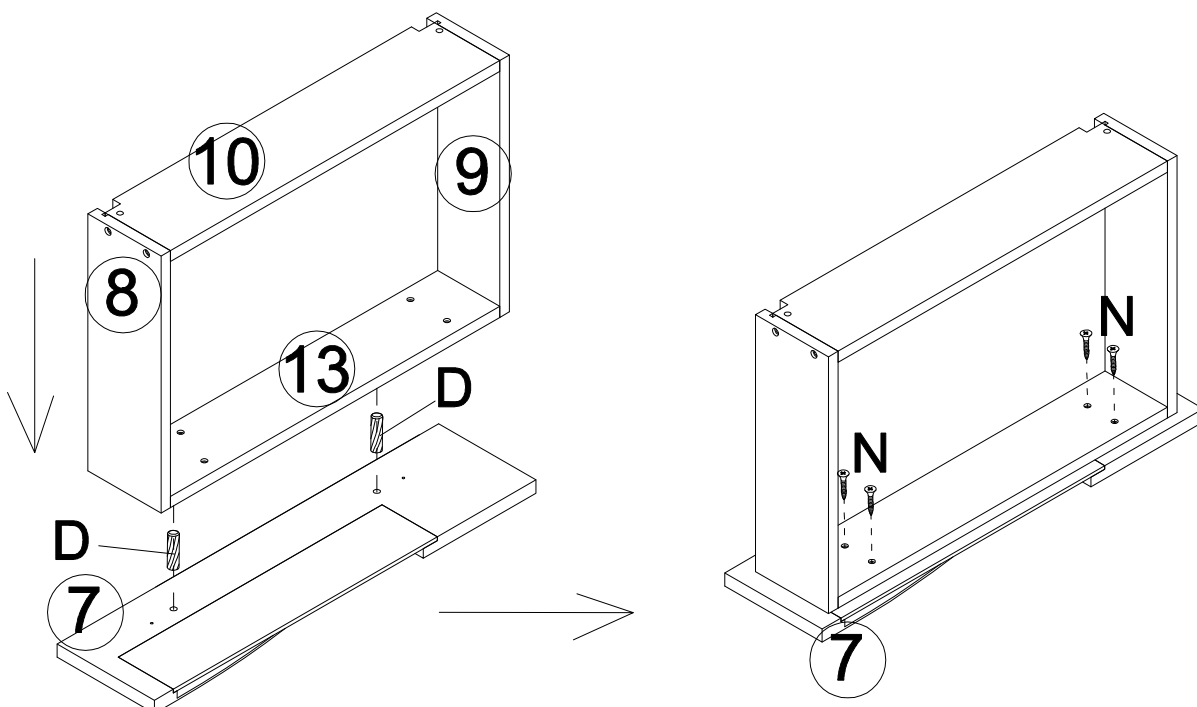
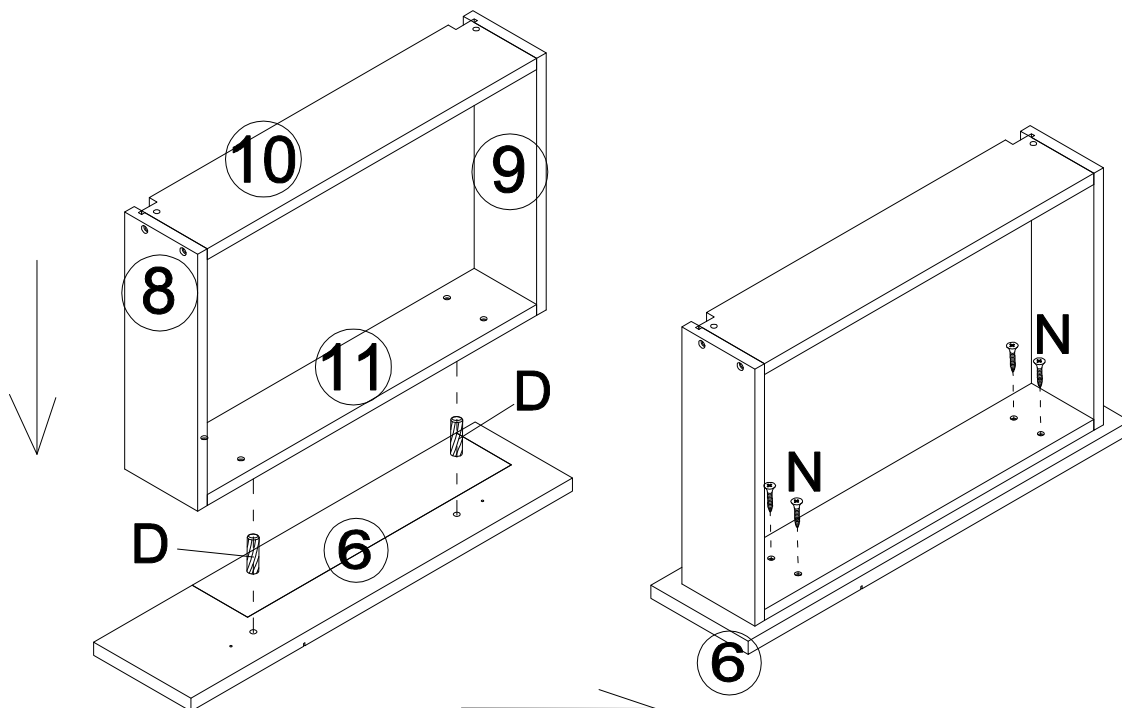


10



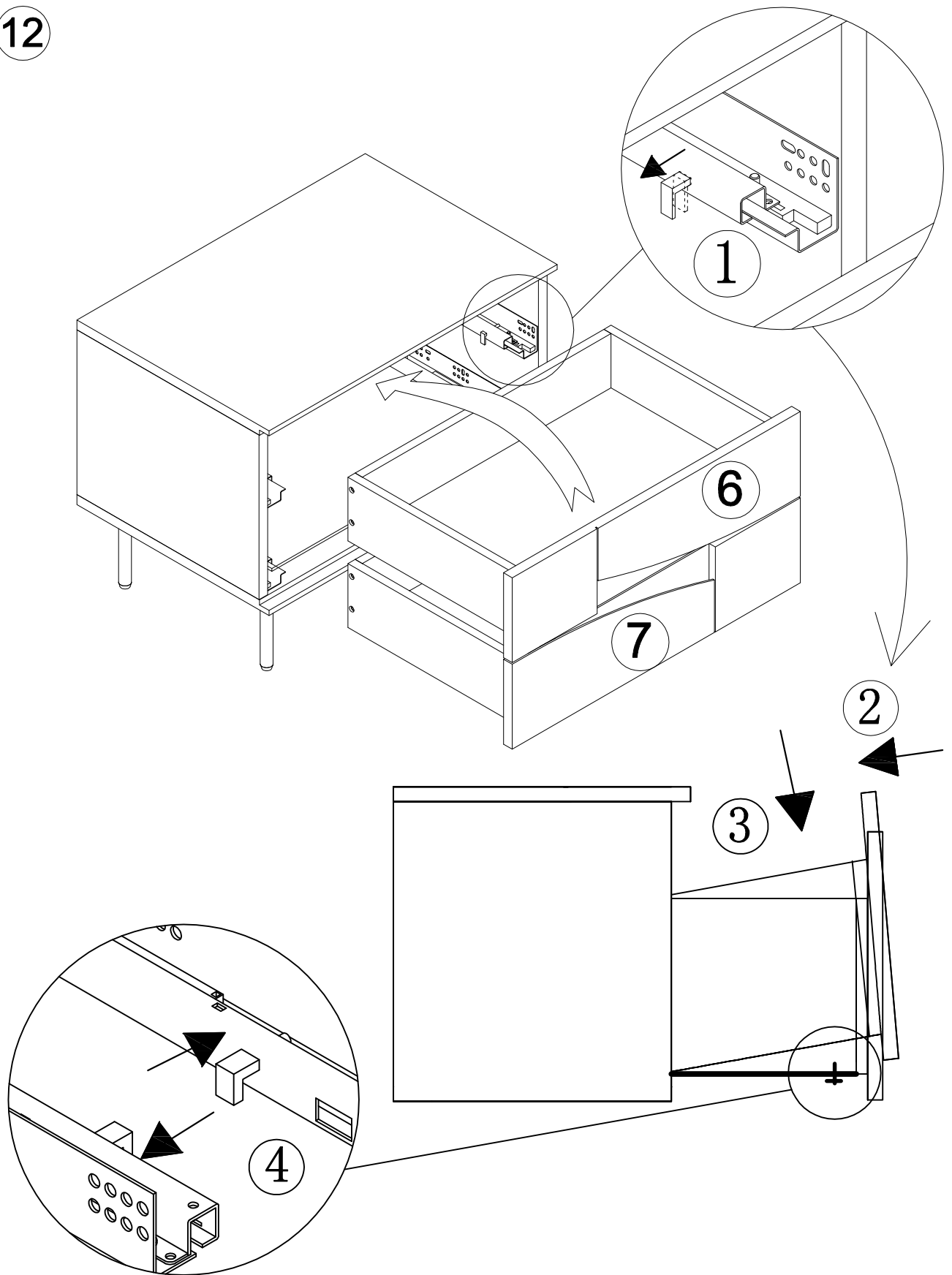


11

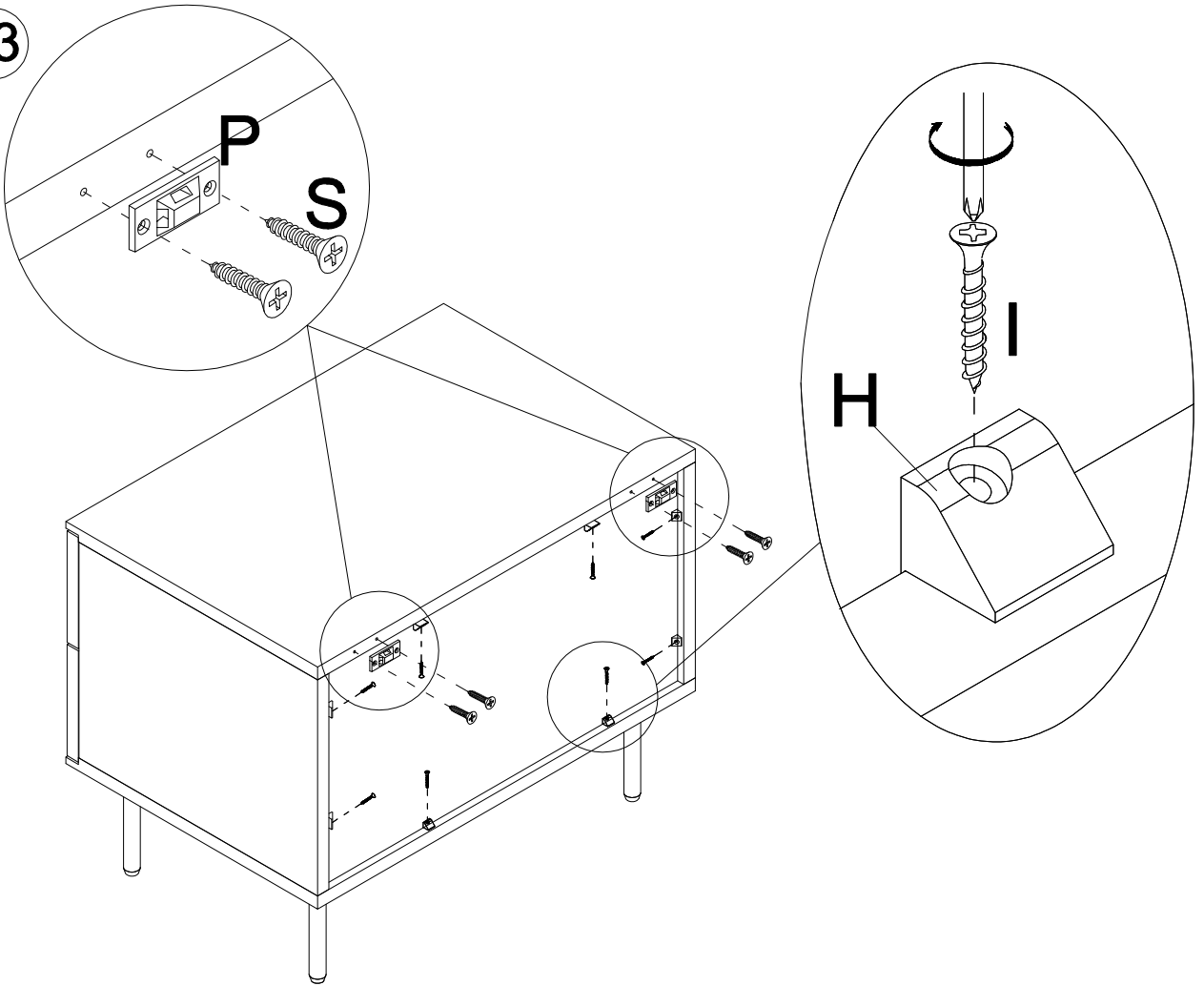




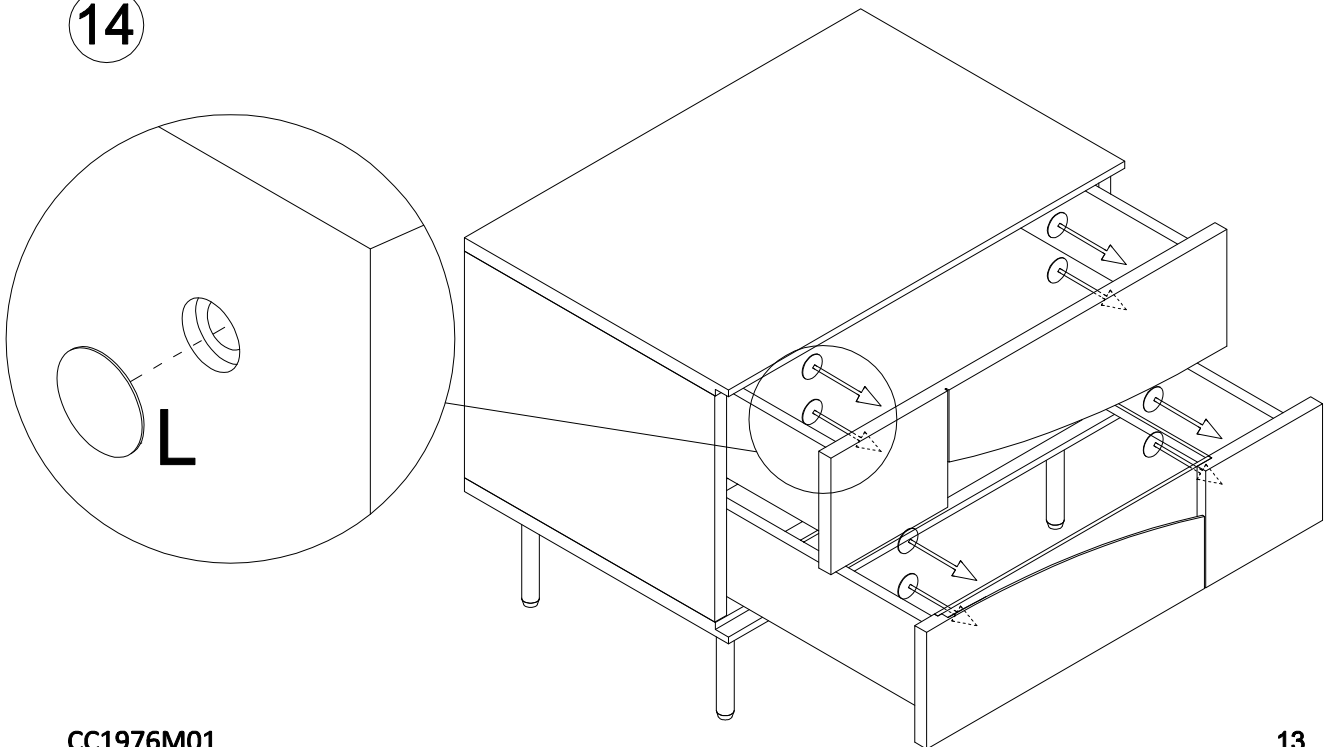
12



13

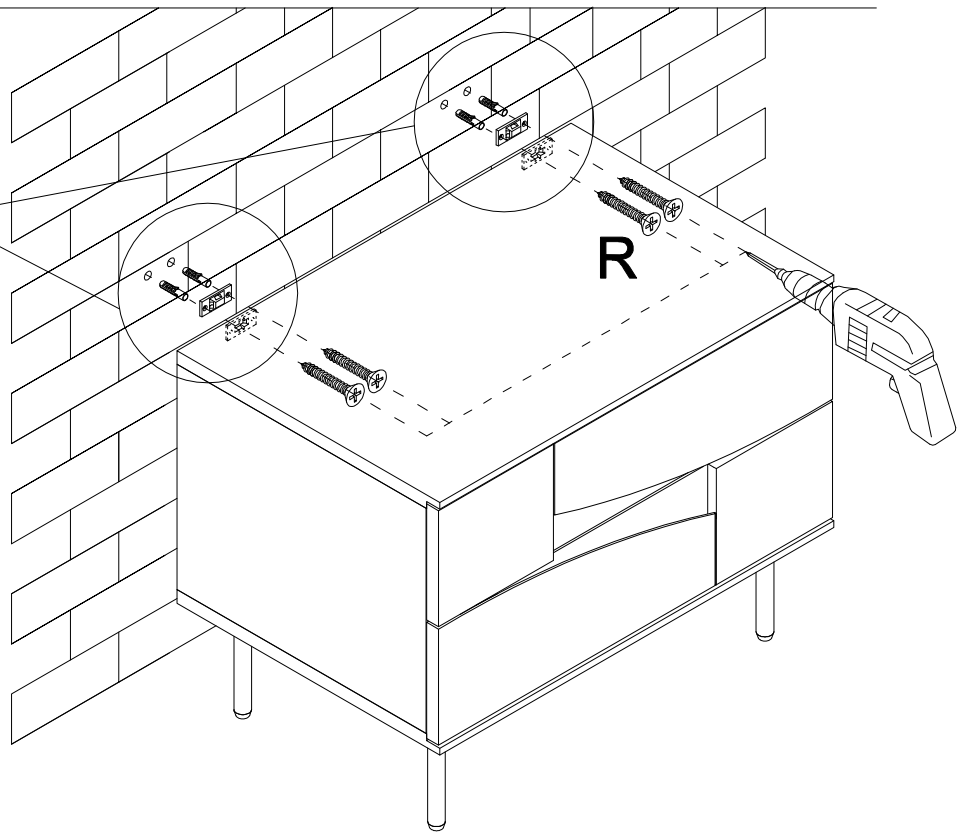
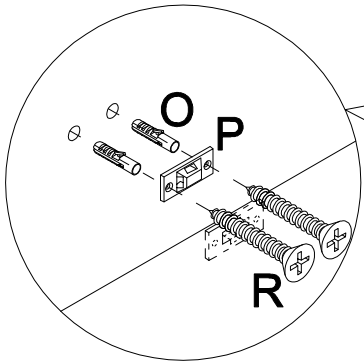


14

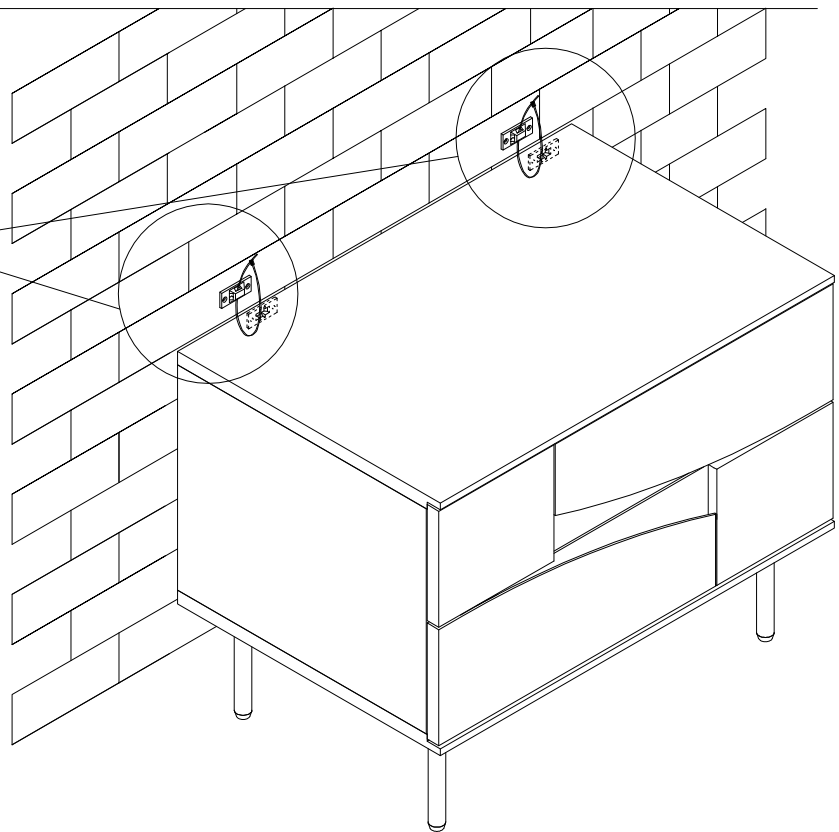
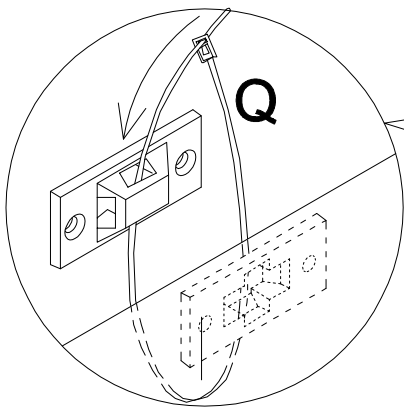




15



16





THAT'S ALL FOLKS!

JULIÀ GRUP Furniture Solutions S.L.

B-17616277

Pol. Ind. Bosc d'en Cuca

C / Tallers, 14

17410 Sils SPAIN

contact@kavehome.com