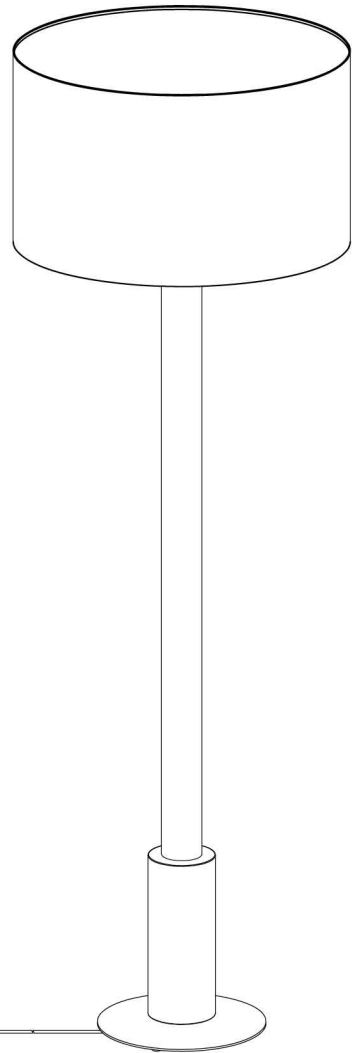


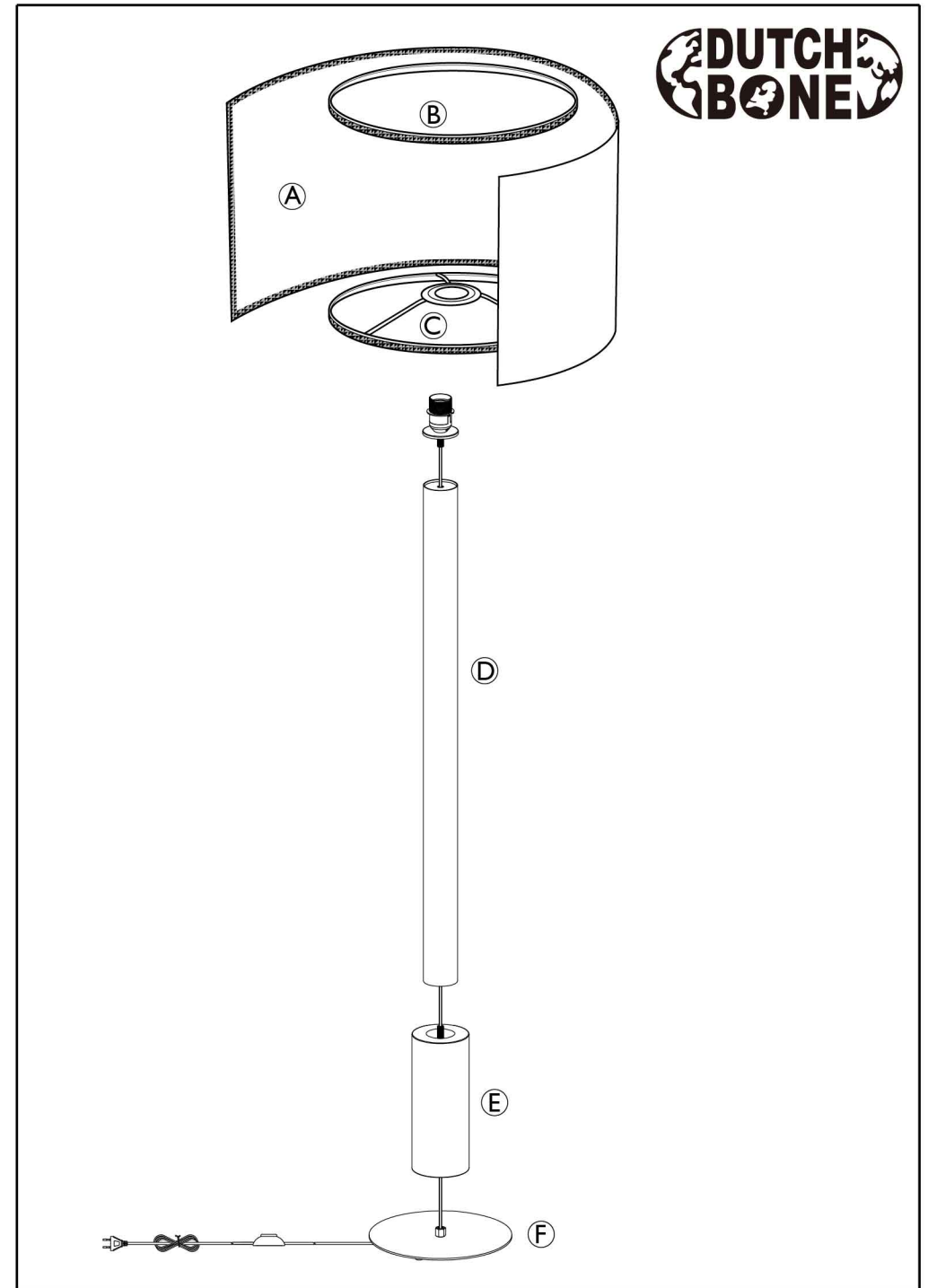
# ASSEMBLY INSTRUCTIONS

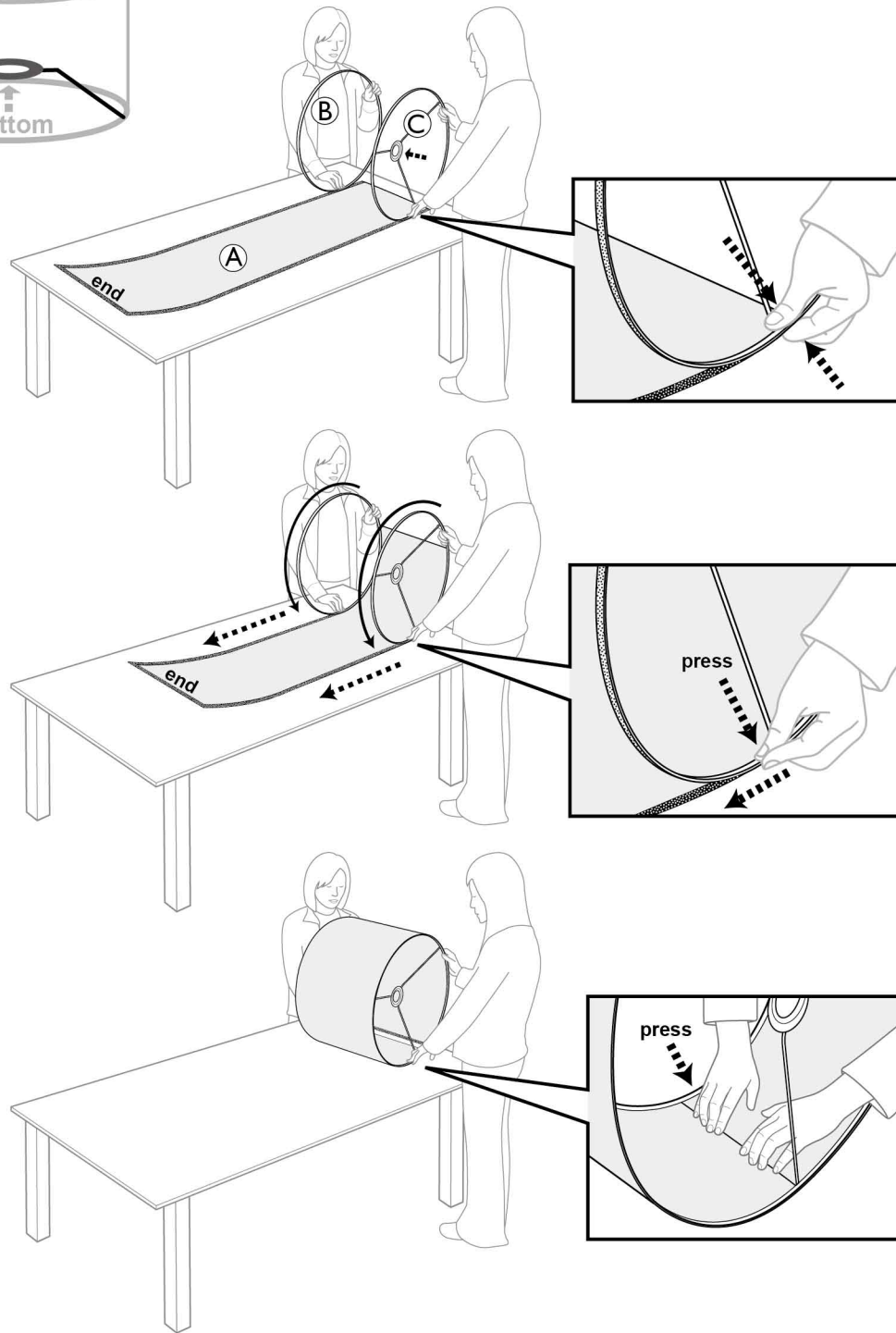
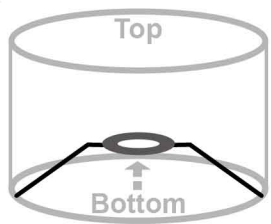
5100052 FLOOR LAMP MEMPHIS



LAMPSHADE patent  
USA: US 8,292,476  
China: ZL200820000799.4  
EU: 08014421.5-2423  
Japan: 3145825  
Taiwan: M350672

**Caution** : If the external flexible cable or cord of this luminaire is damaged, it should be replaced by a qualified person in order to avoid a hazard.



**1****2**