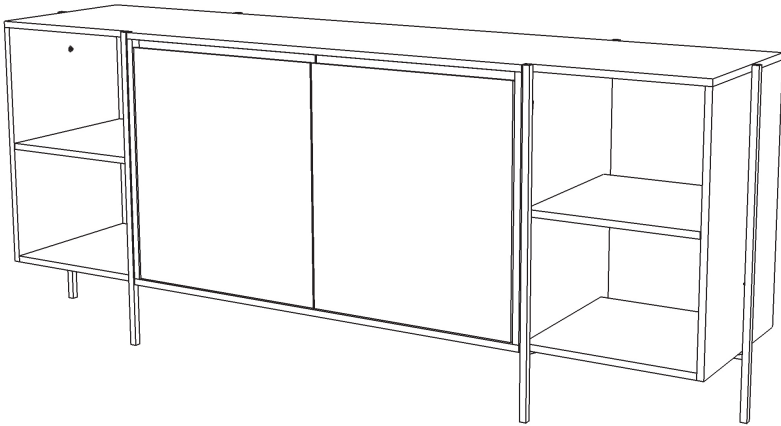
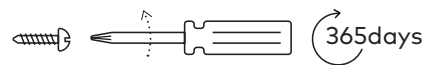
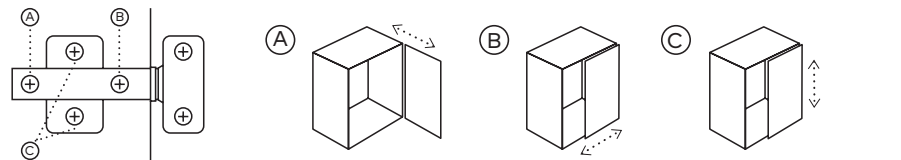
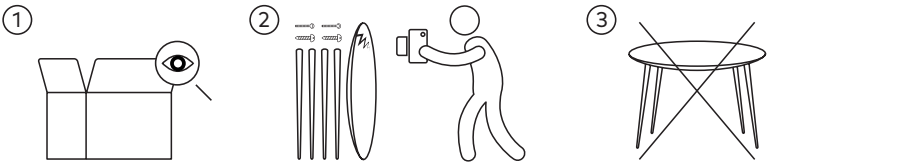
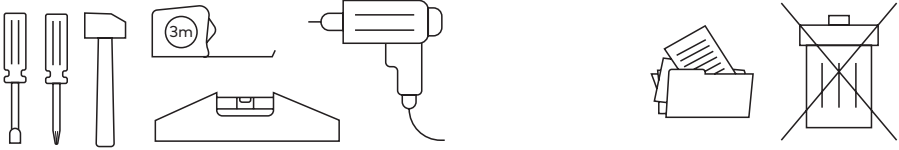
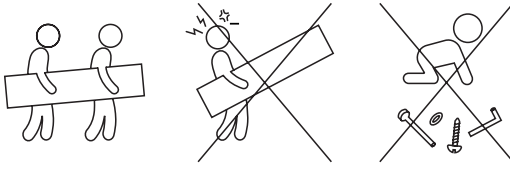




**PAL00M46**

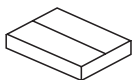
---







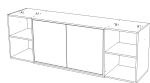
15 MIN



X1



X2



1 x1



2 x2



3 x2



A x16



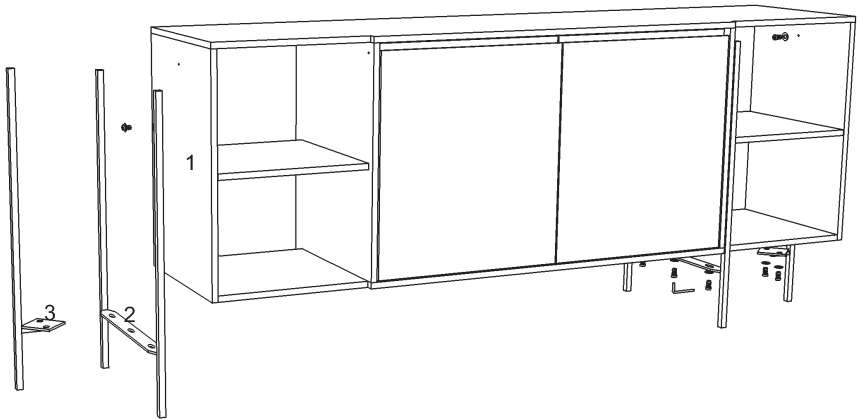
B x12



C x4

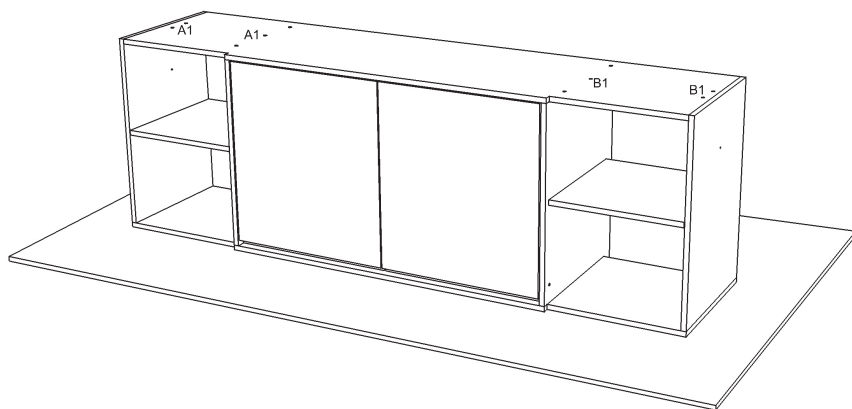


D x1



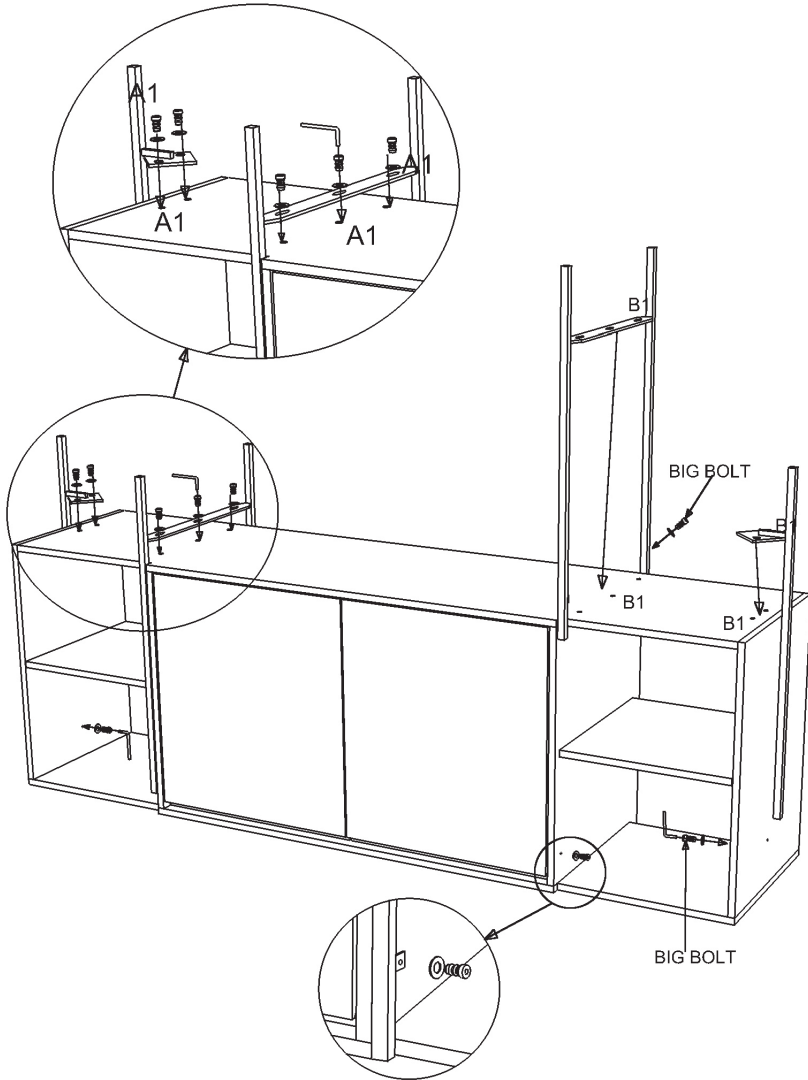


1



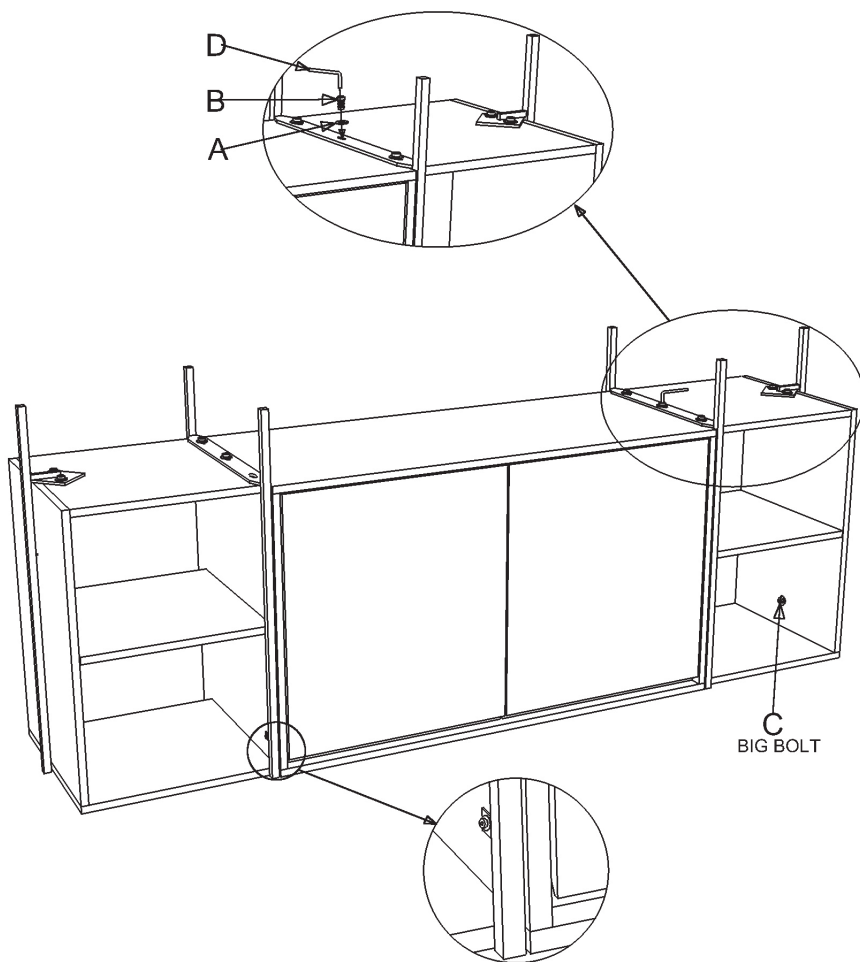


2



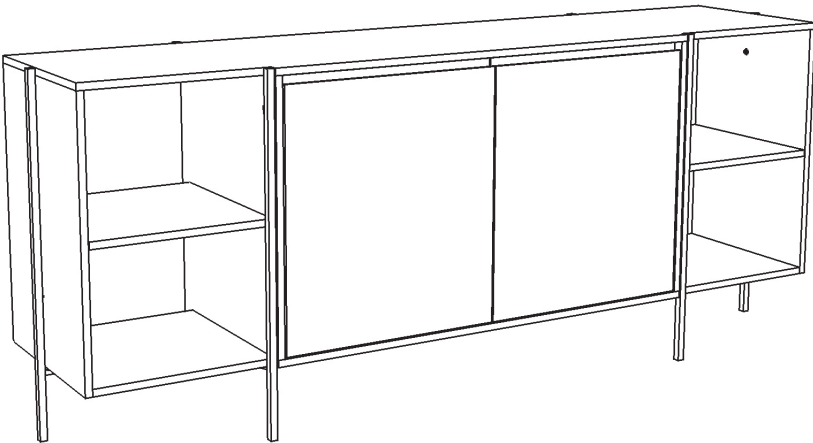
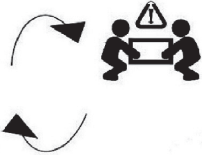
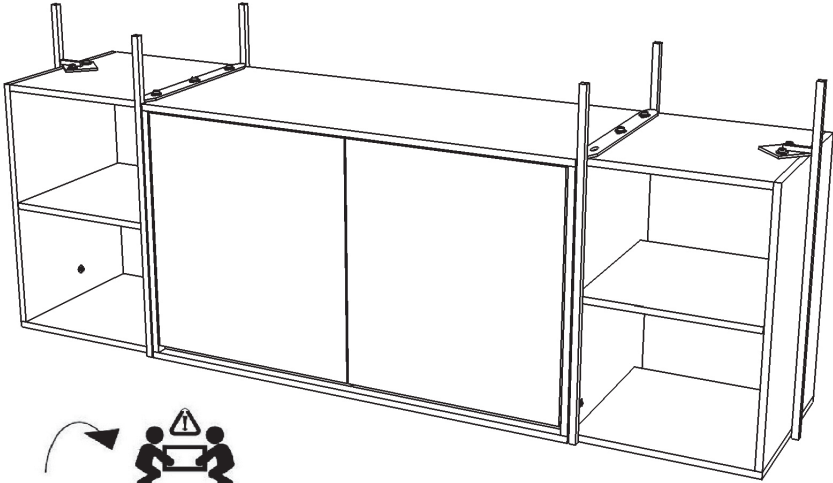


3





4











**JULIÀ GRUP Furniture Solutions S.L.**

B-17616277

Pol. Ind. Bosc d'en Cuca

C / Tallers, 14

17410 Sils SPAIN

[info@juliagrup.com](mailto:info@juliagrup.com)