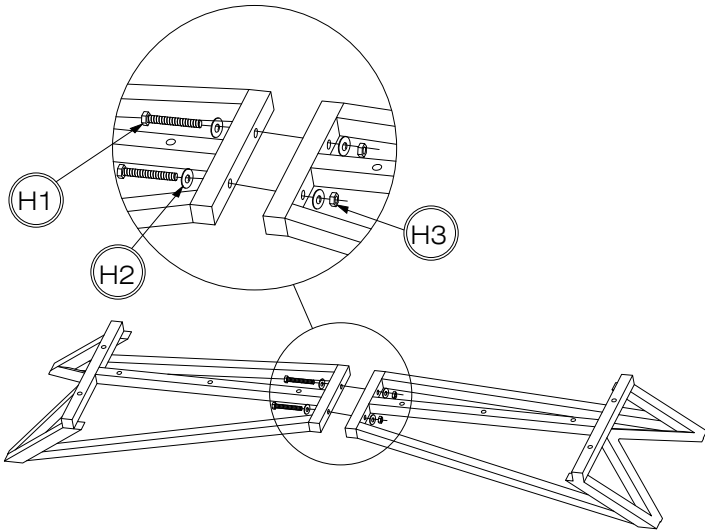
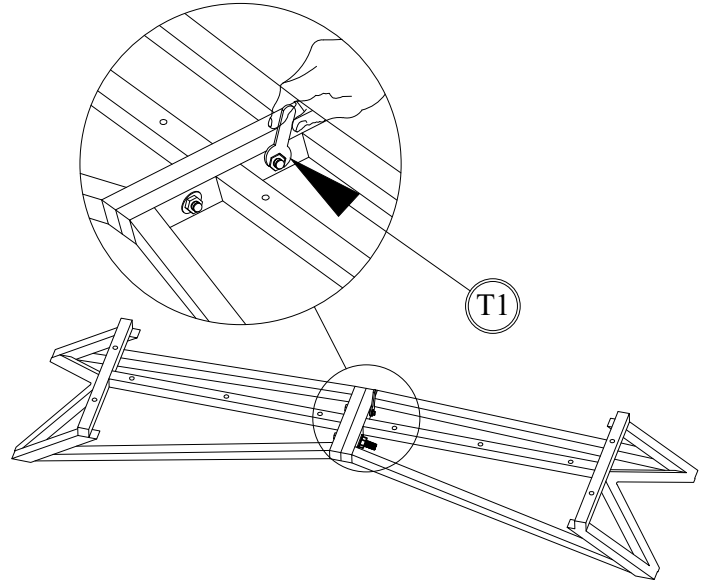


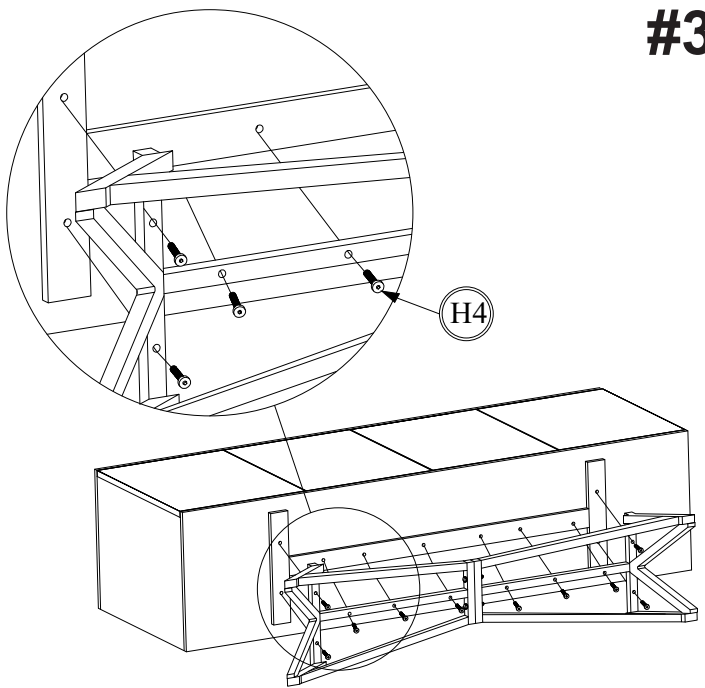
#1



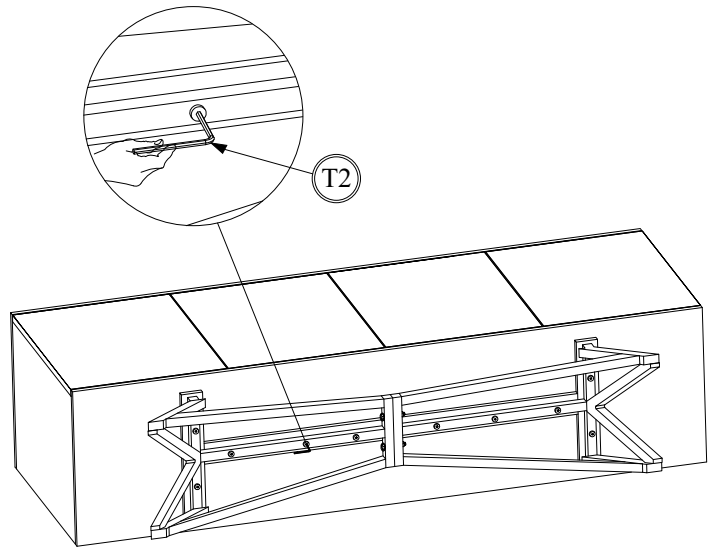
#2



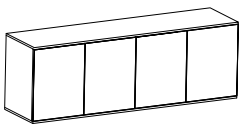
#3



#4

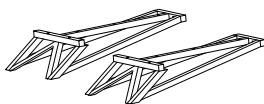


A



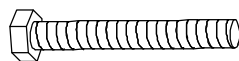
1 Pc

B



2 Pcs

H1



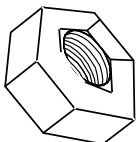
2 Pcs

H2



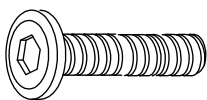
4 Pcs

H3



2 Pcs

H4



10 Pcs

T1

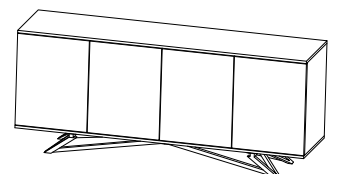


1 Pc

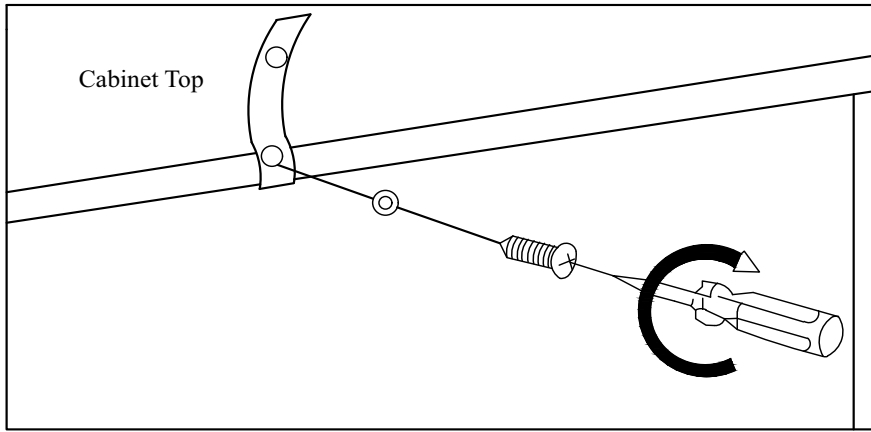
T2



1 Pc

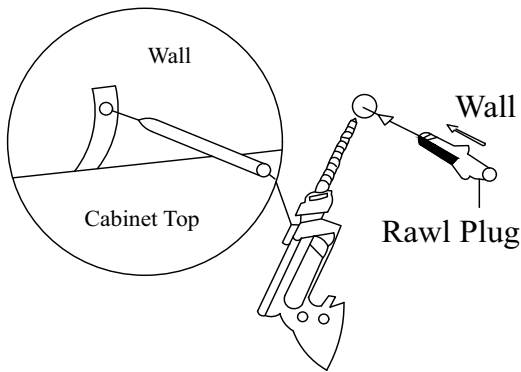


TIP STRAP FITTING INSTRUCTIONS

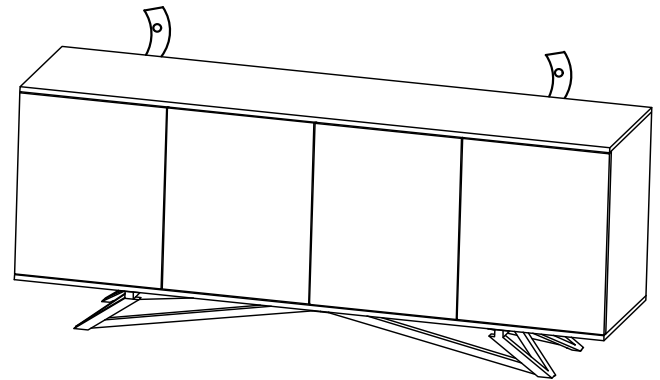


STEP : 2

Make a mark on the wall through the strap .

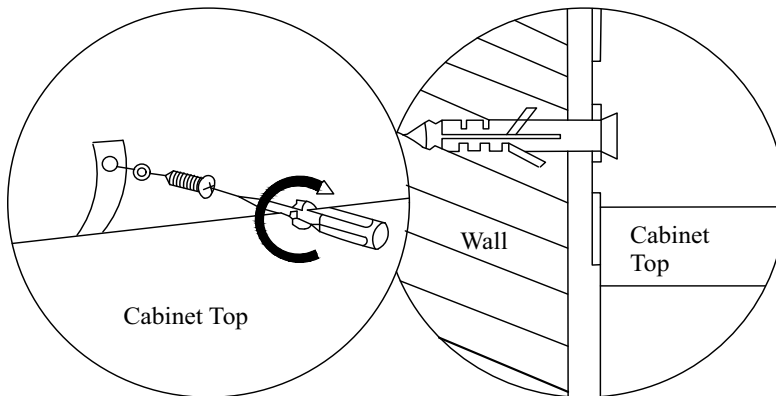


Drill a hole in the wall and insert the rawl plug .



STEP : 3

Insert screw through washer into hole in wall



NOTE: Wall Fixings are not supplied with this product as different wall materials require different types of fixing devices (such as Rawl plugs on brick work) You must use fixing devices suitable for the type of wall you intend to mount this product to. Please ensure that the head of any screw used has a diameter greater than the diameter of the mounting hole on the product and that the fixing is safe and secure before use.

The strap and screw which to fix the strap on to the furniture are provided only.

HARDWARE LIST



2 X
Screw

2 X
Strap



2 X
Washer