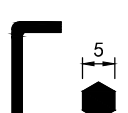
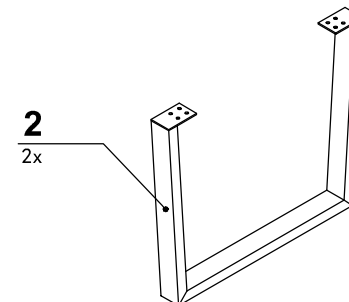
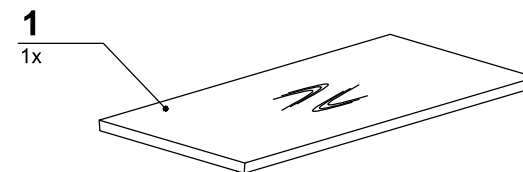
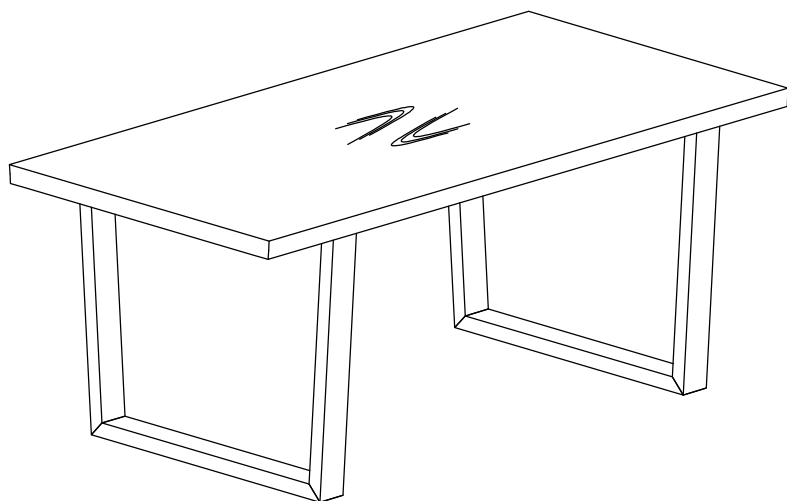





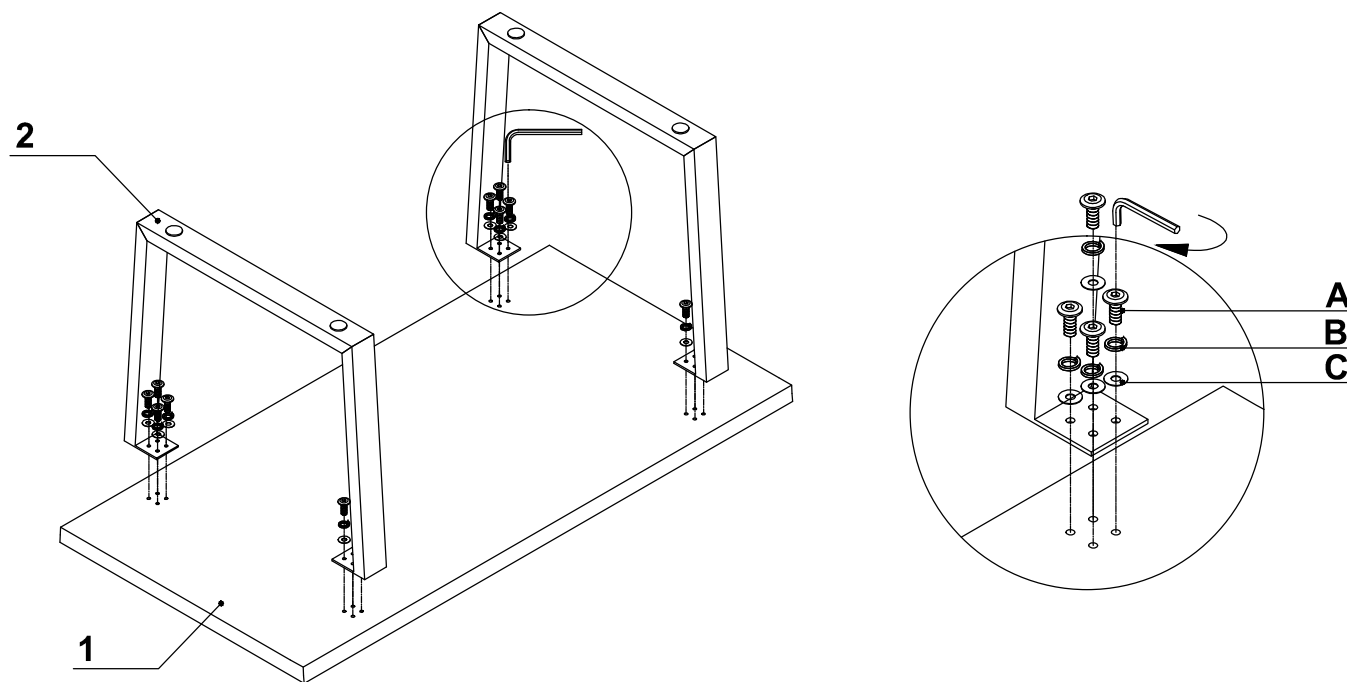
83879

Table Osaka Duo 180x90cm

KARE
DESIGN



- A**  M8*25= 16x
- B**  M8= 16x
- C**  $\phi 18-\phi 8*1,5= 16x$



83879 Table Osaka Duo 180x90cm