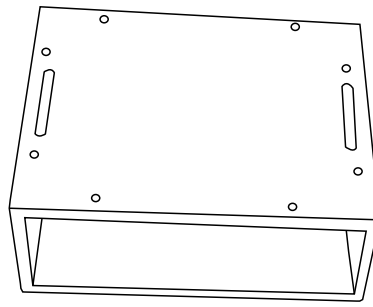
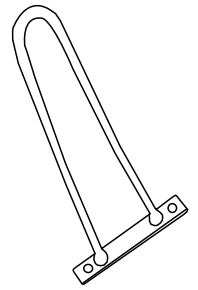


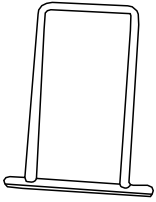
2332/15



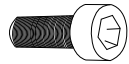
Ax1



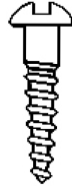
Bx4



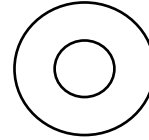
Cx2



Dx8



Ex4

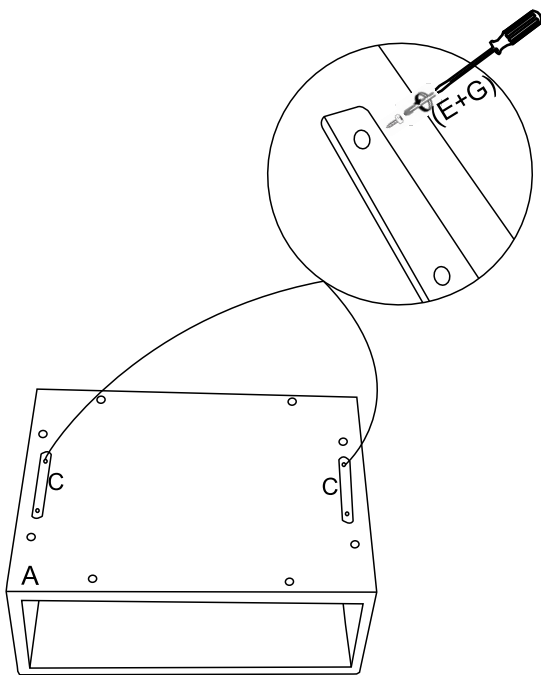


Fx8



Gx1

1



2

