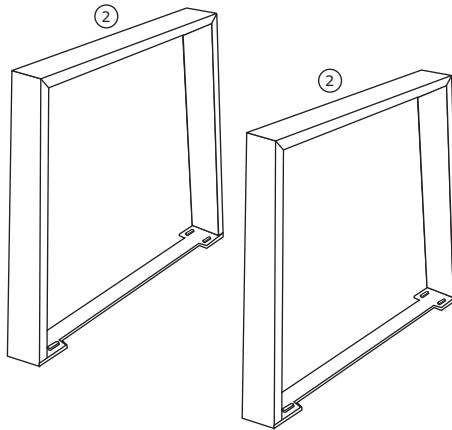
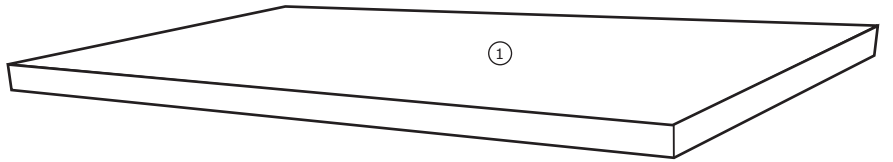
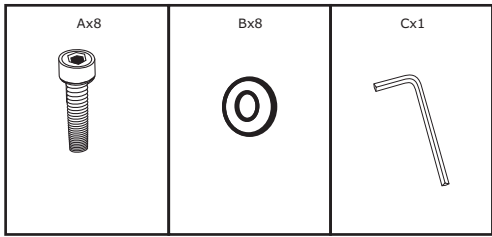
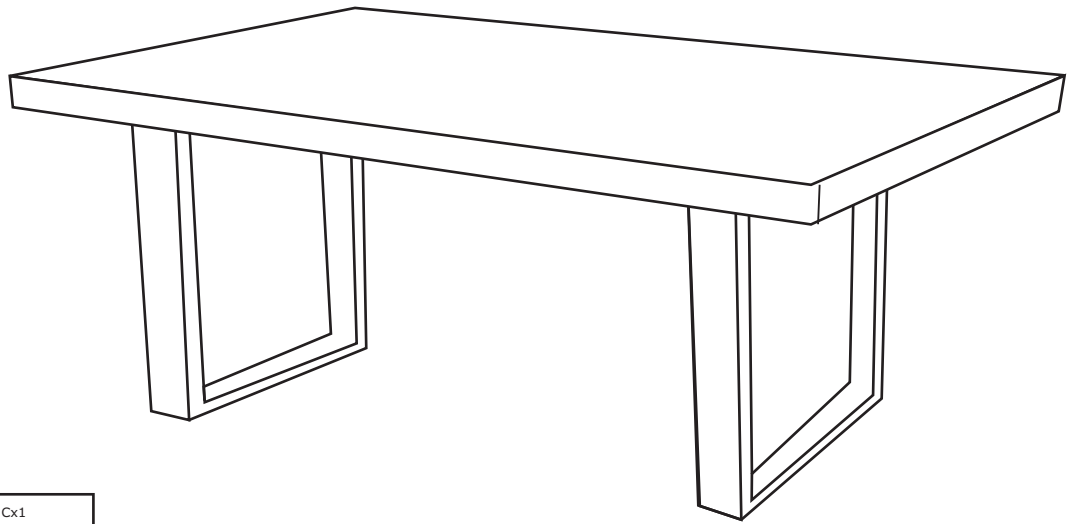
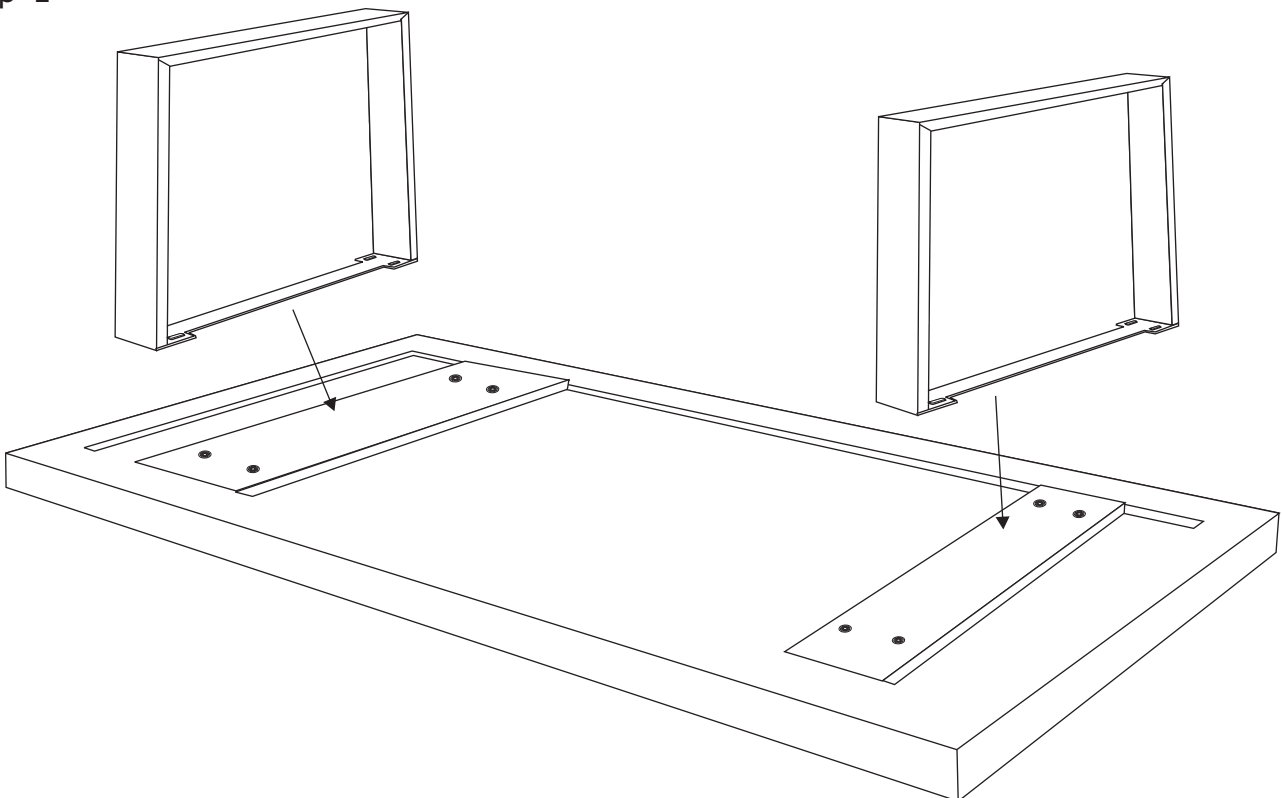


# Assembly Instructions

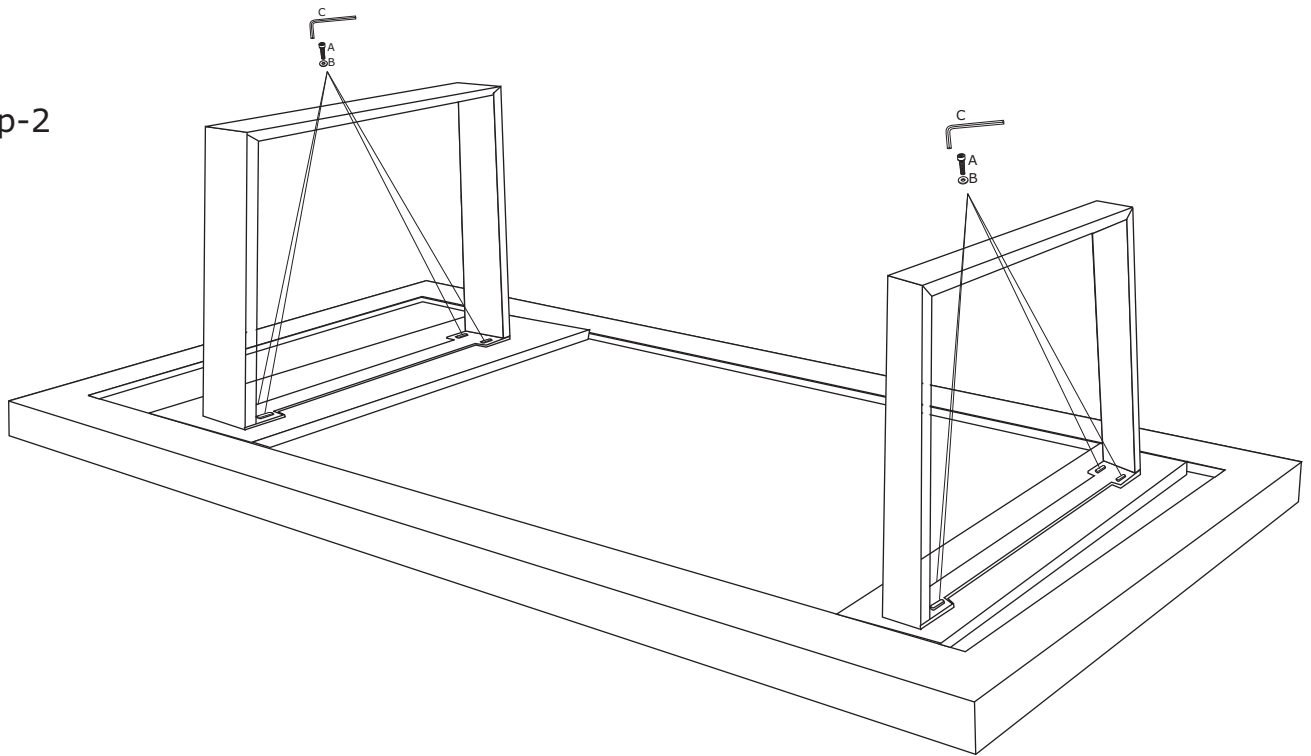
## 2280



### Step-1



Step-2



Step-3

