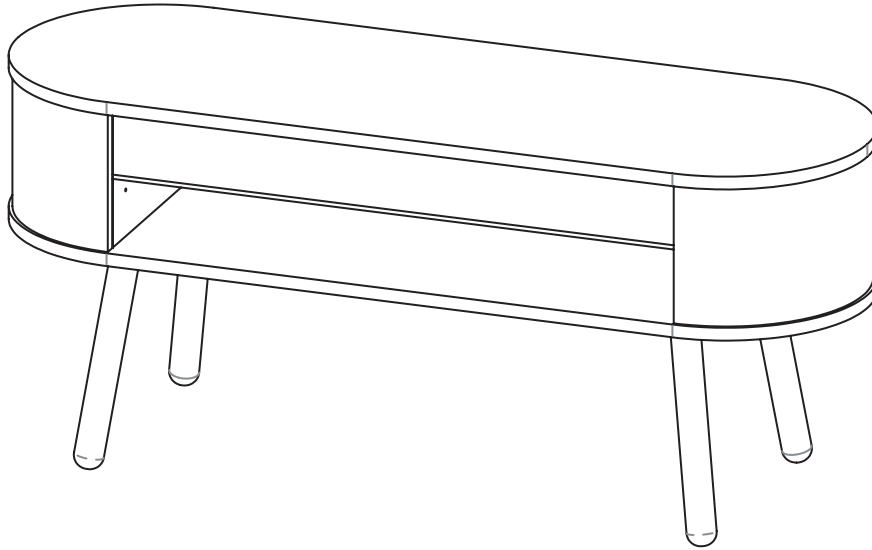
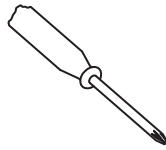


# SIDEBORD CODY

# ZUIVER<sup>o</sup>

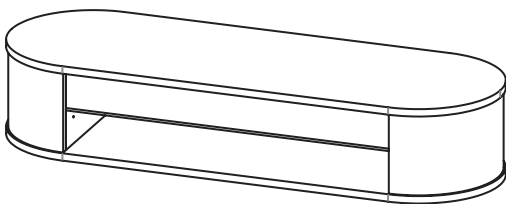


## Necessary tool

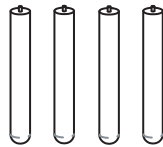


## Component list

A



B

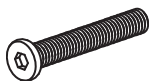


C



## Fitting list

① x 4

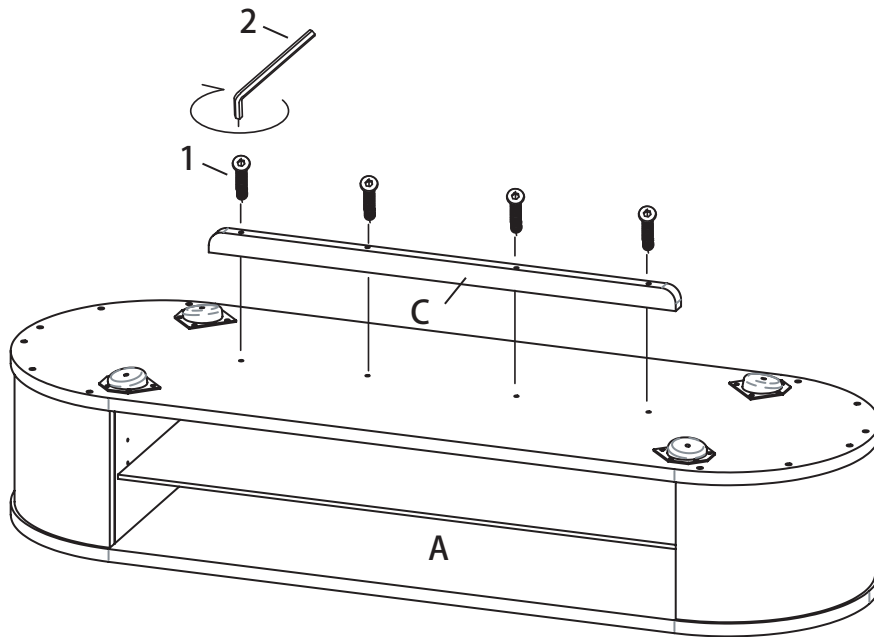


② x 1

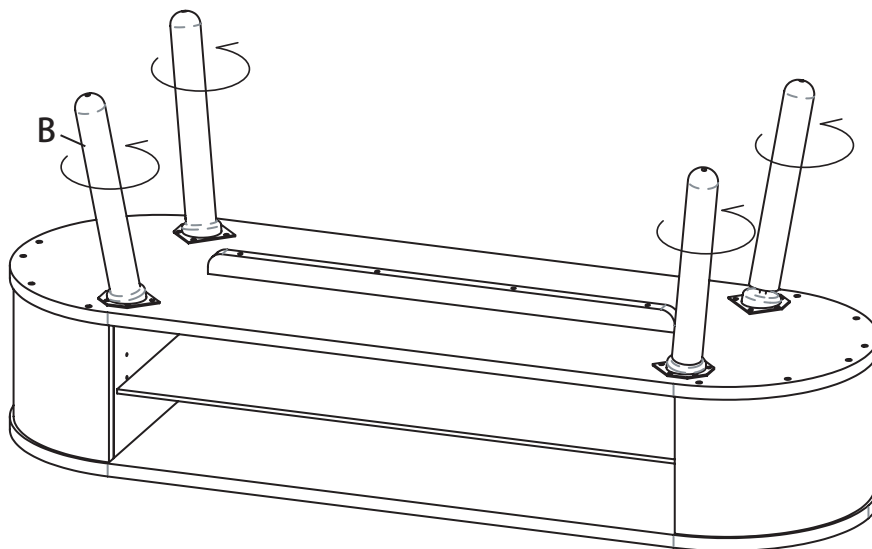


# STEP BY STEP ASSEMBLY INSTRUCTION

## STEP 1



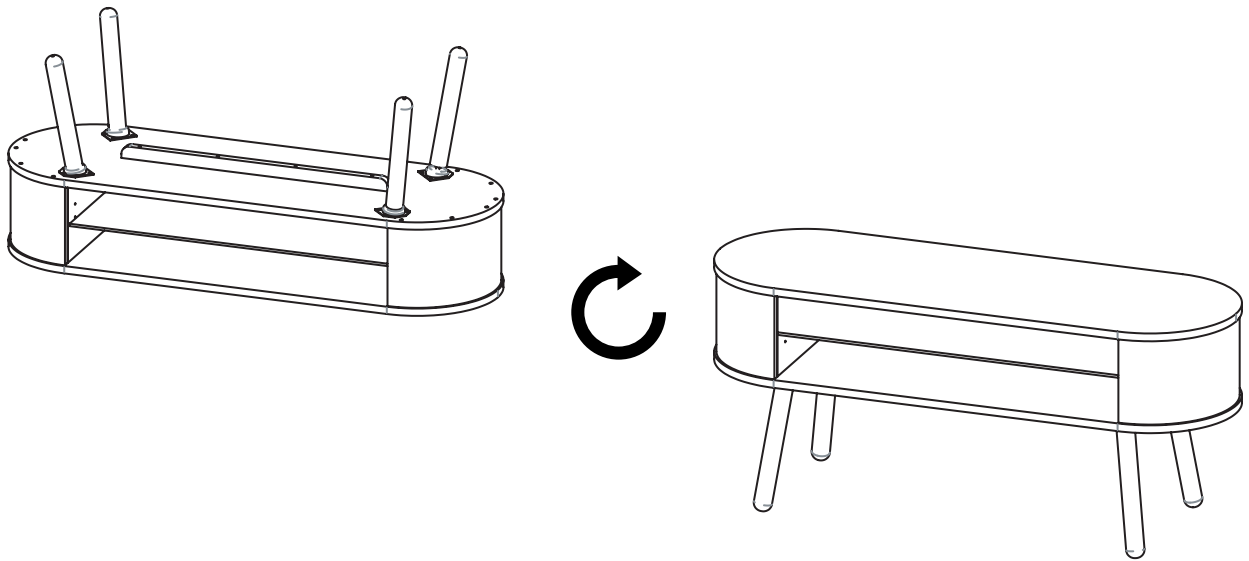
## STEP 2



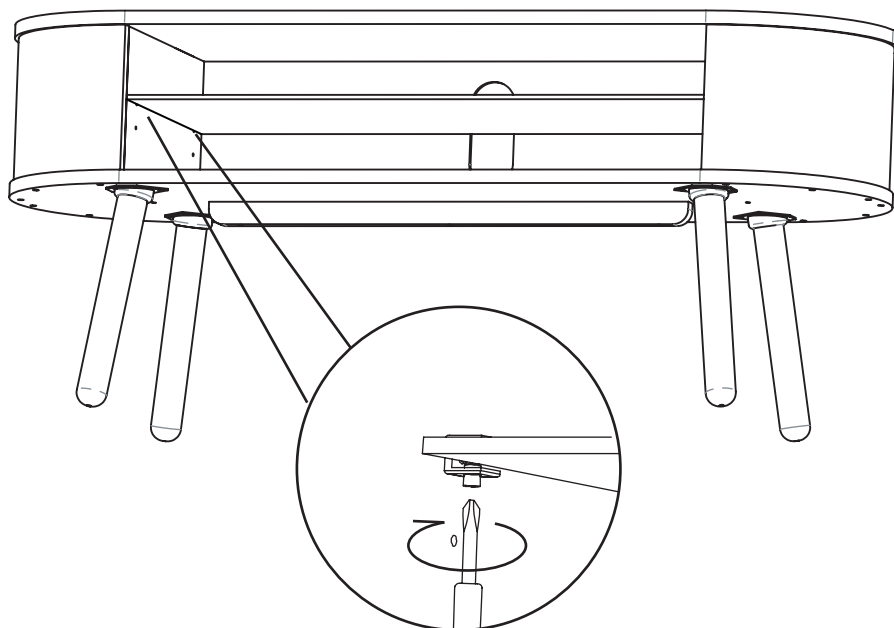
## STEP BY STEP ASSEMBLY INSTRUCTION

---

### STEP 3

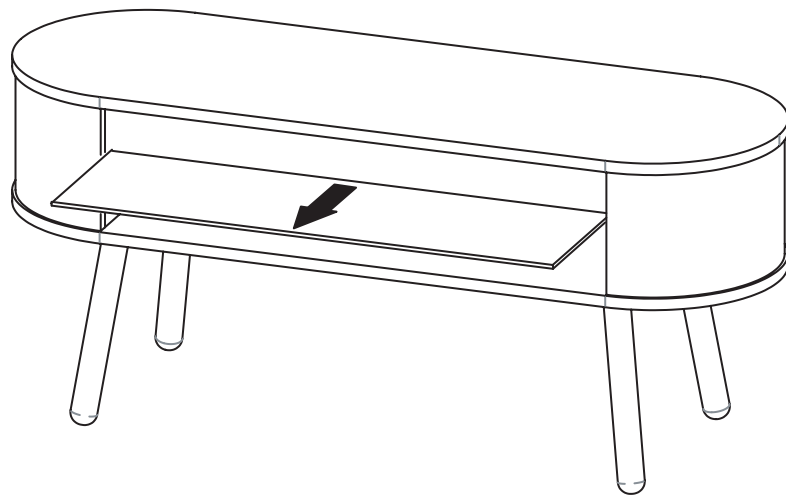


### STEP 4

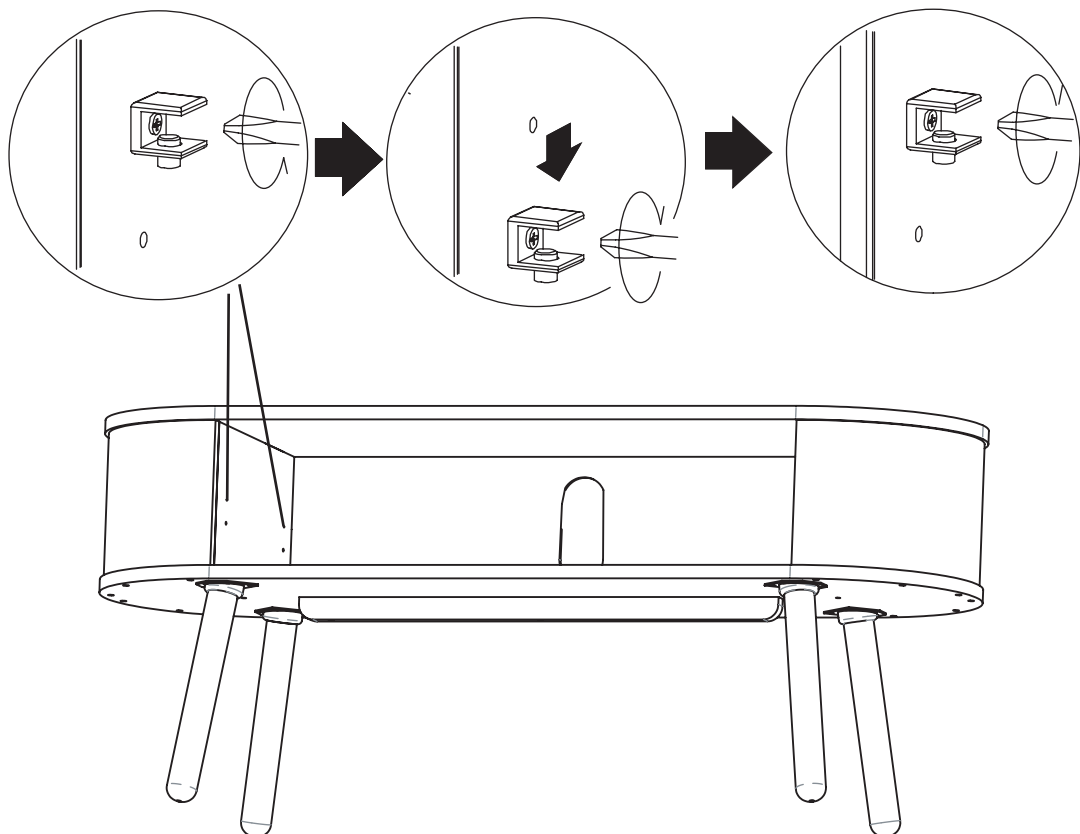


# STEP BY STEP ASSEMBLY INSTRUCTION

## STEP 5



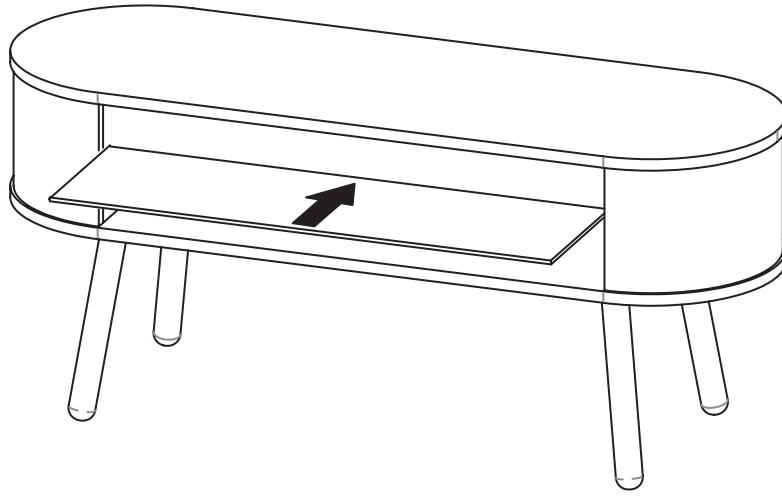
## STEP 6



## STEP BY STEP ASSEMBLY INSTRUCTION

---

### STEP 7



### STEP 8

