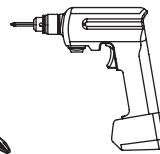
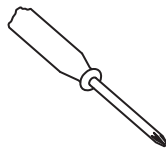


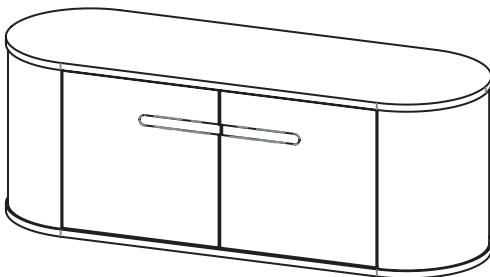


## Necessary tool

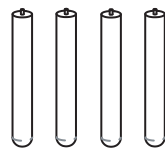


## Component list

A



B



C



## Fitting list

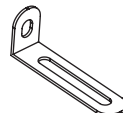
① x 4



② x 1



③ x 1



④ x 1

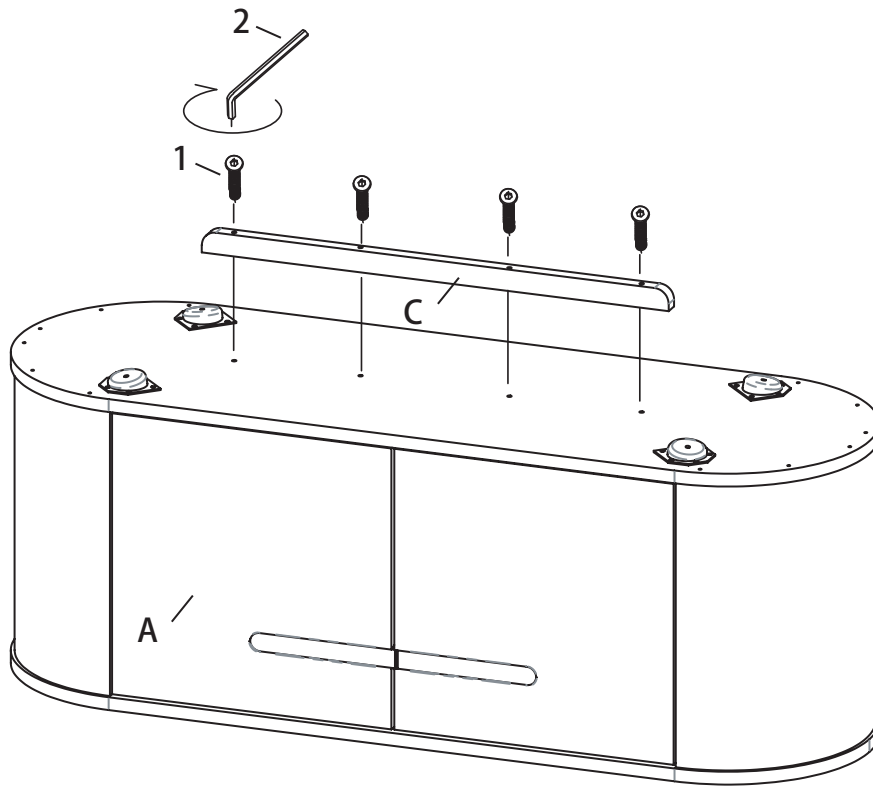


⑤ x 1

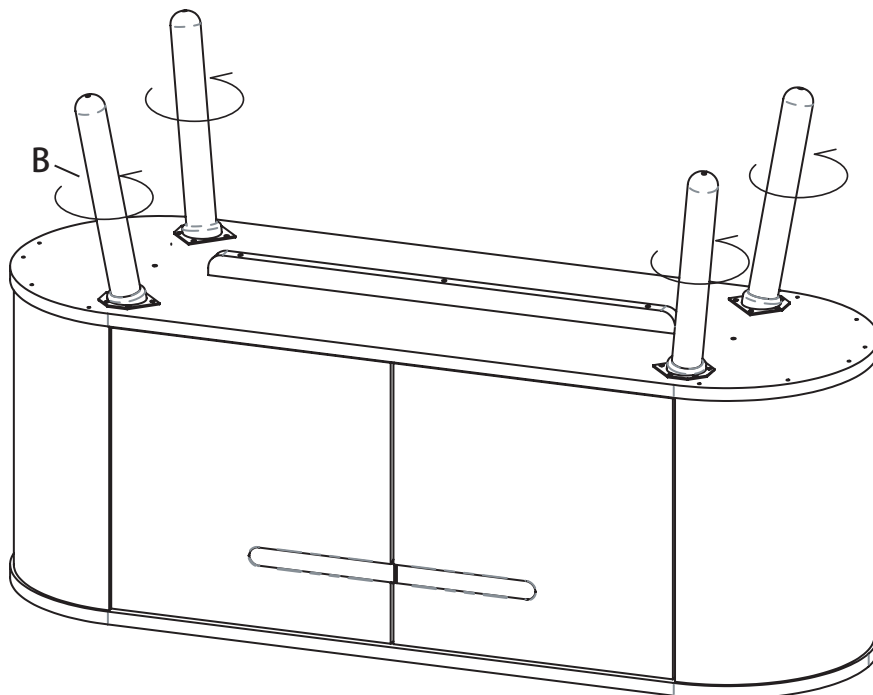


# STEP BY STEP ASSEMBLY INSTRUCTION

## STEP 1

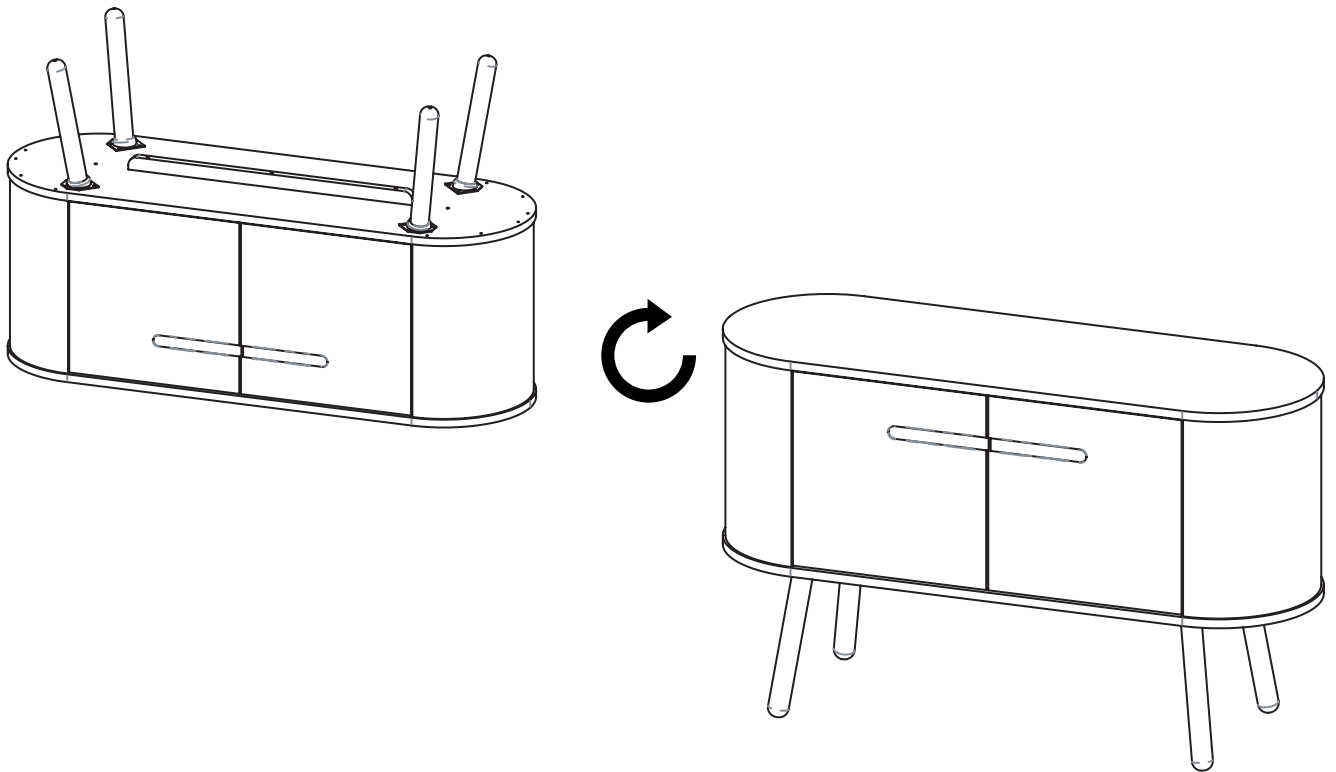


## STEP 2

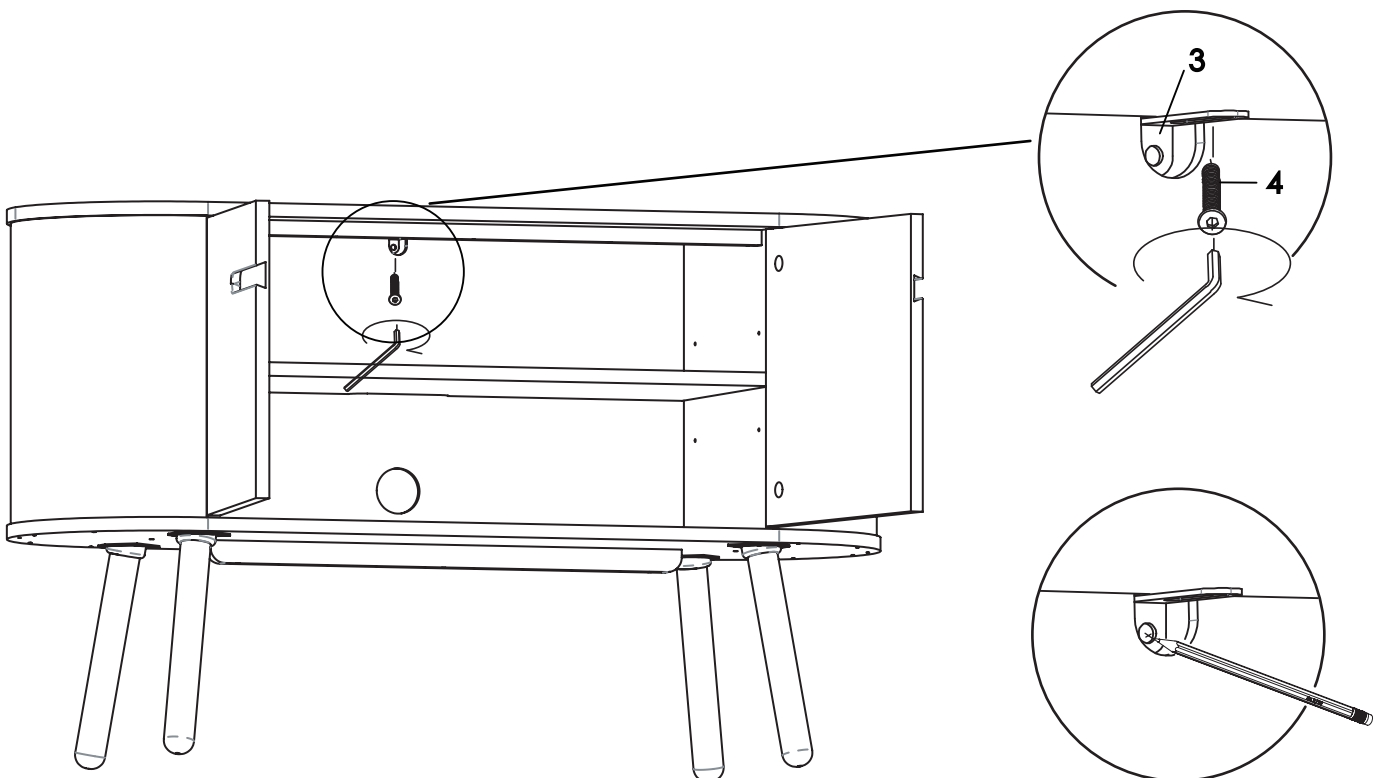


# STEP BY STEP ASSEMBLY INSTRUCTION

## STEP 3



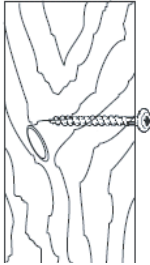
## STEP 4



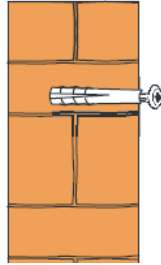
## STEP BY STEP ASSEMBLY INSTRUCTION

### Wall fixing - if in doubt seek professional advice

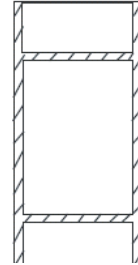
Please ensure to use the correct size rawl plug when installing the metal bracket to a wall. If your wall is cavity construction or wood you may need to seek appropriate wall fixings.



**Wood**  
If fixing to wood make sure that it isn't chipboard as screws can easily pull away from the core structure

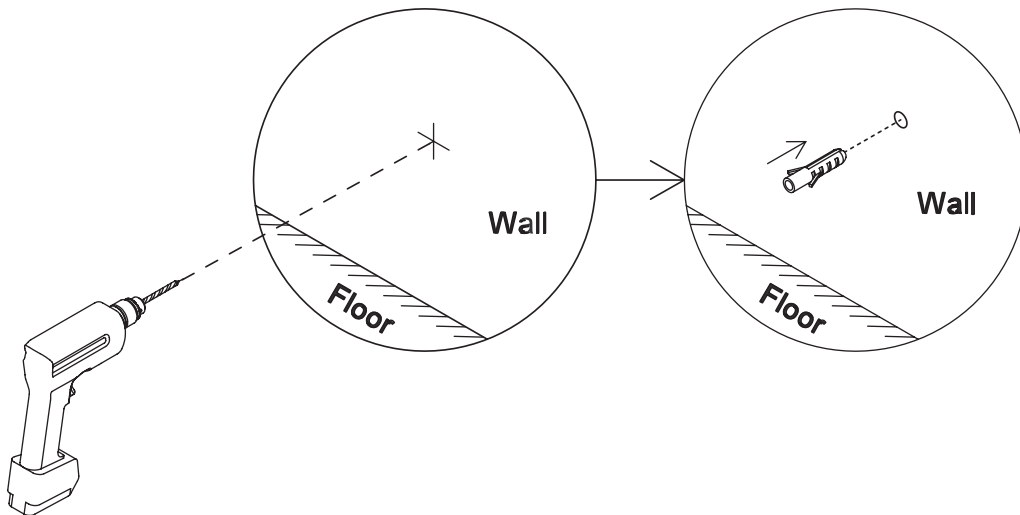


**Brick or Masonry**  
Use an appropriate wall plug provided you are sure your



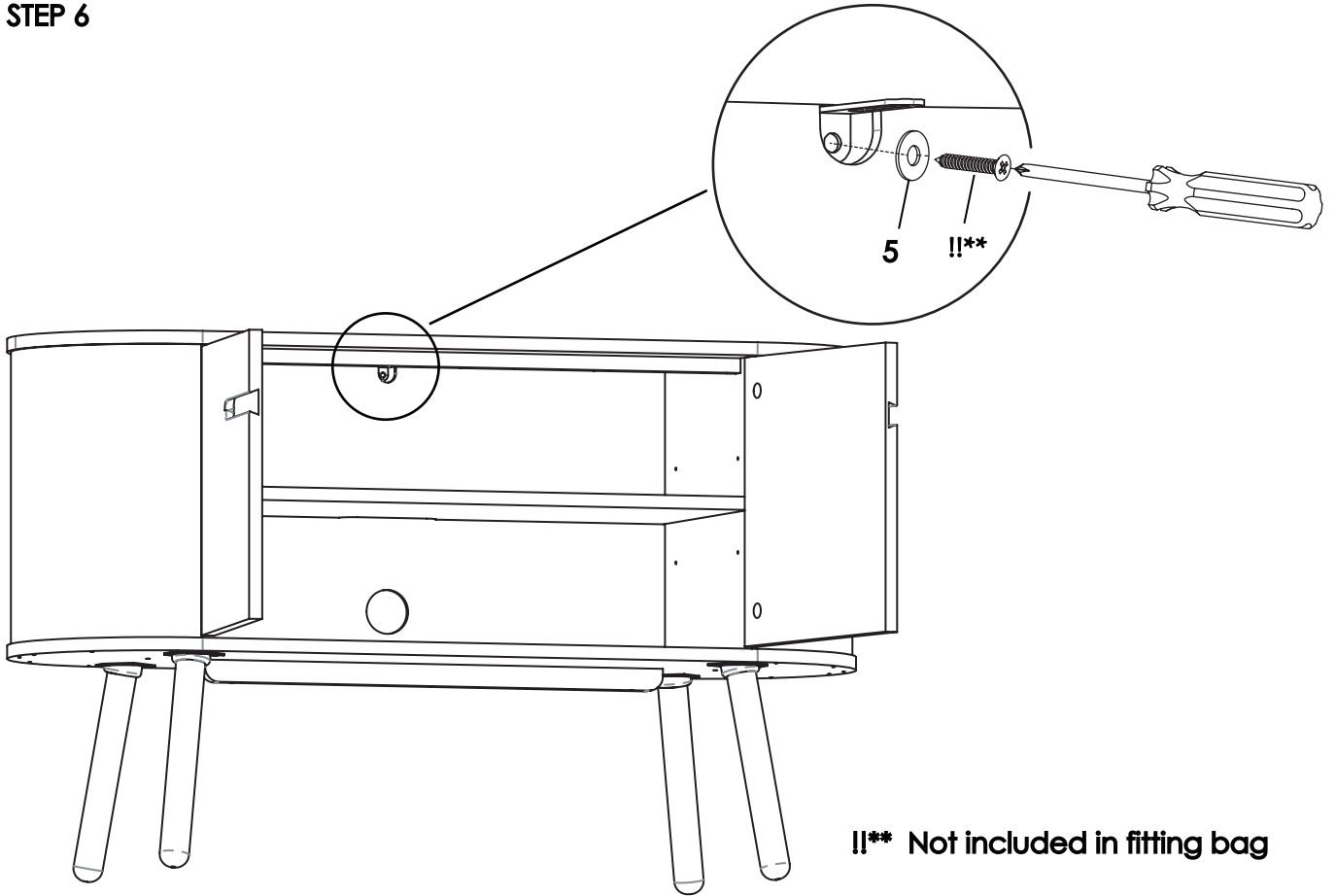
**Cavity wall**  
Special toggle wall plugs are needed.  
Seek expert advice

### STEP 5



# STEP BY STEP ASSEMBLY INSTRUCTION

## STEP 6



## STEP 7

