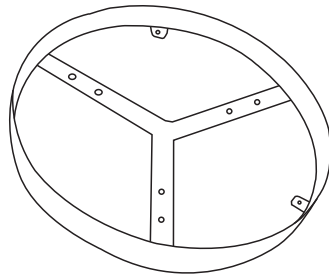
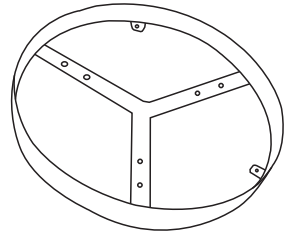




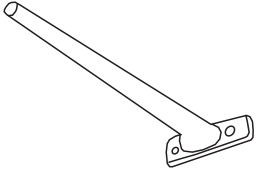
2542/20



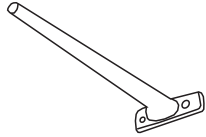
Ax1



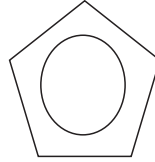
Bx1



Cx3



Dx3

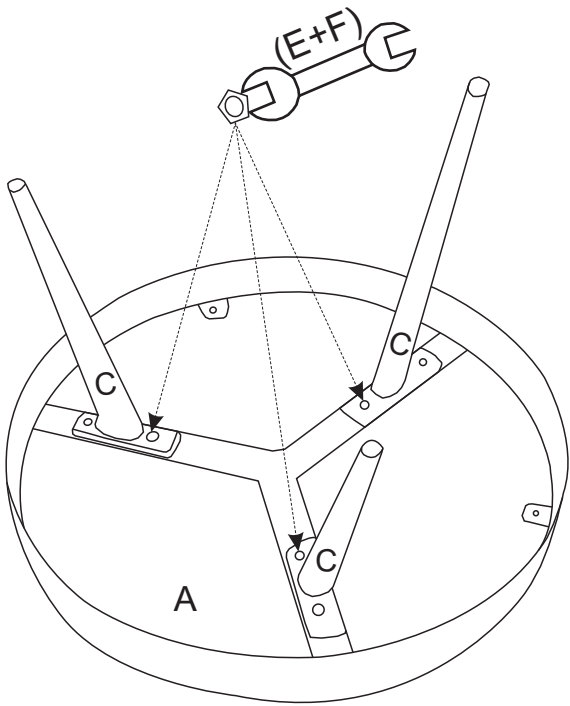


Ex12



Fx1

1



2

