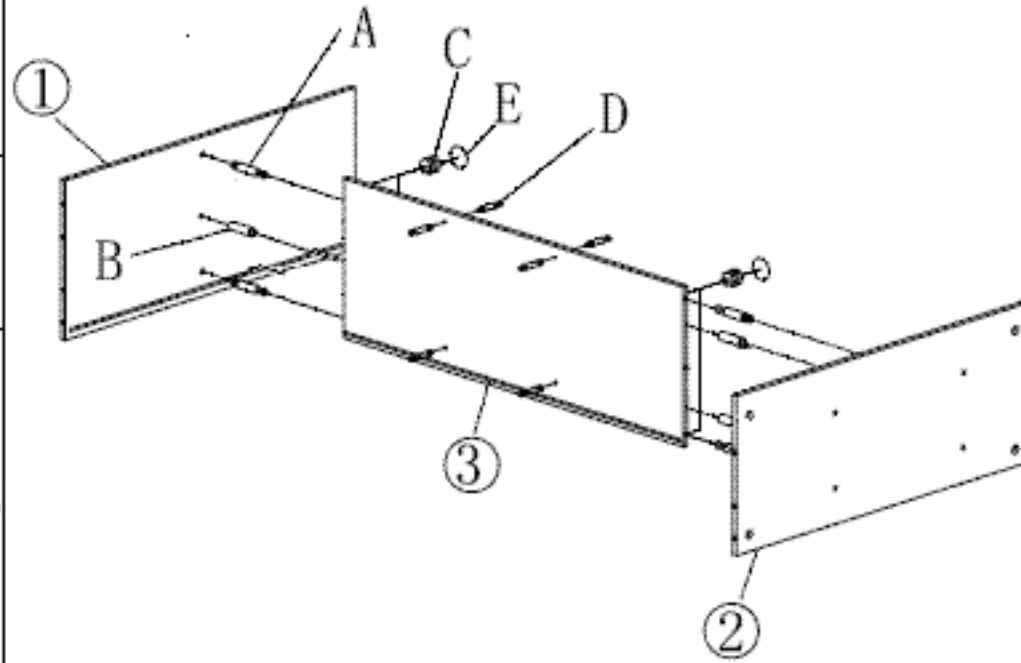
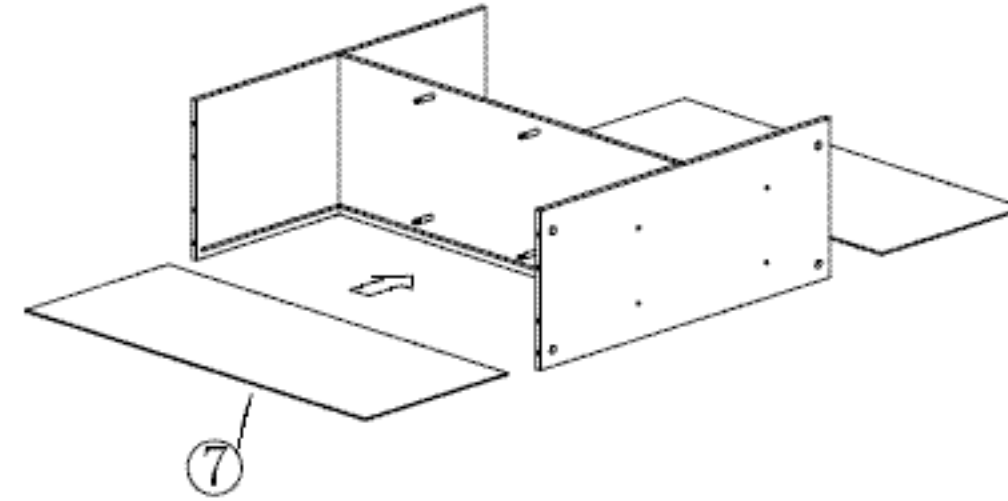


①		1 PC
②		1 PC
③		1 PC
④		2 PCS
⑤		1 PCS
⑥		1 PCS
⑦		2 PCS
⑧		4 PCS
⑨		1 PC

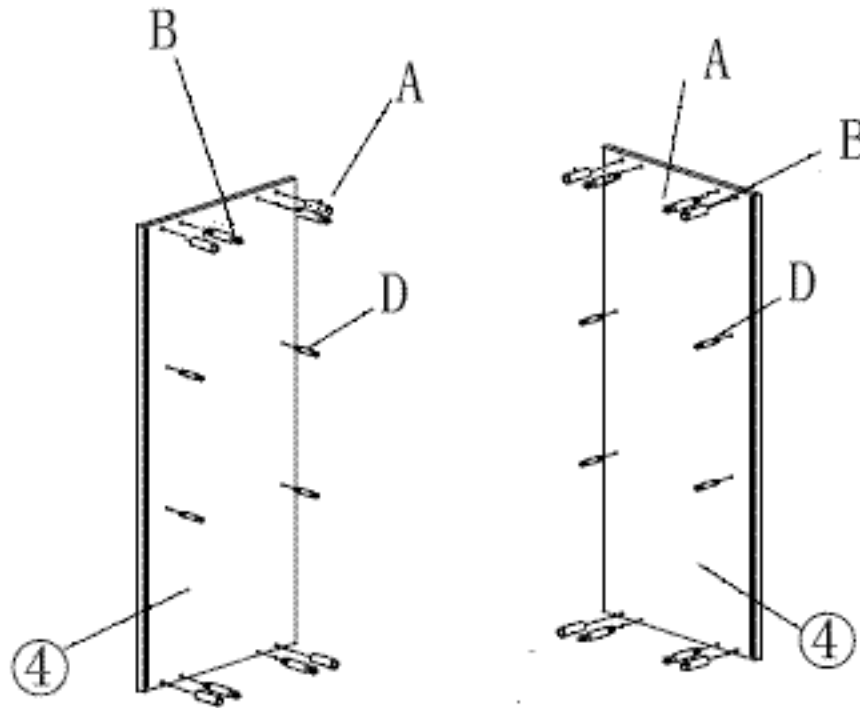
STEP. 1



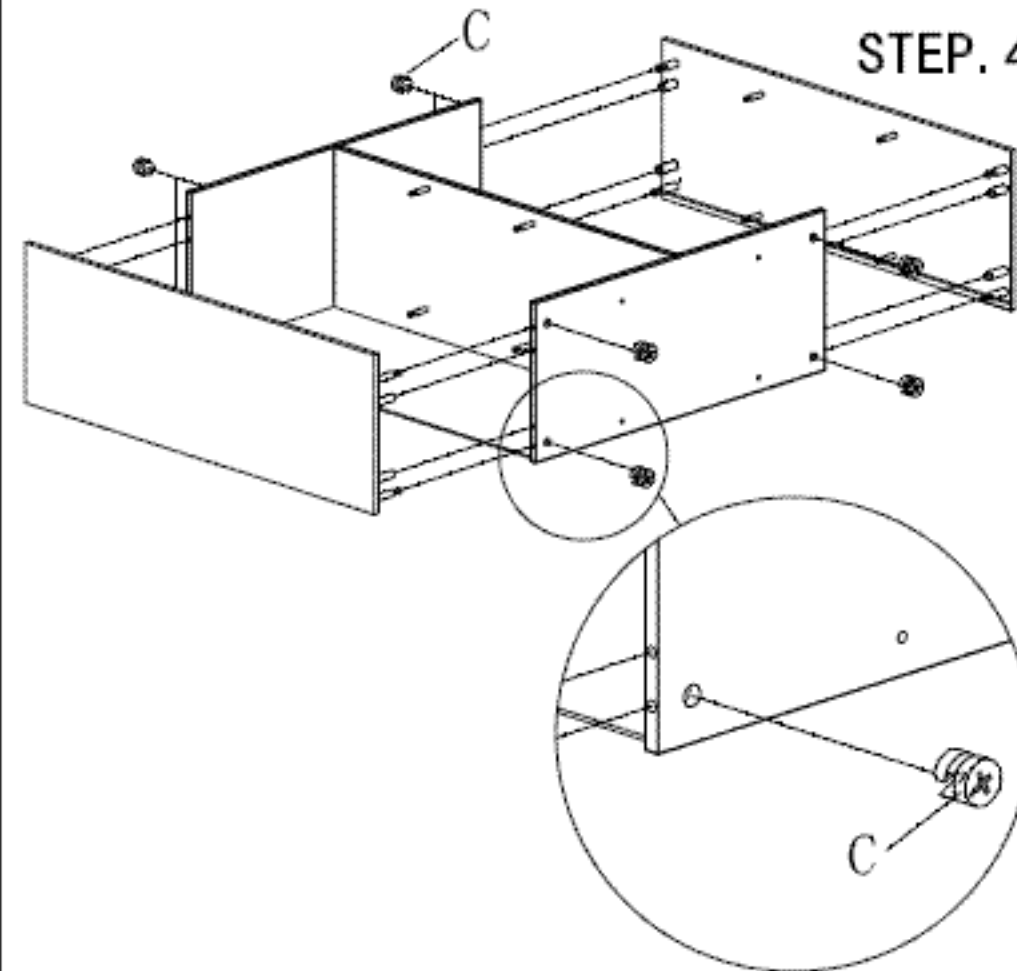
STEP. 2



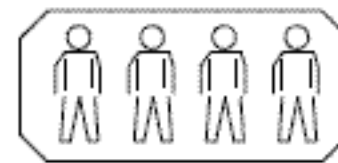
STEP. 3



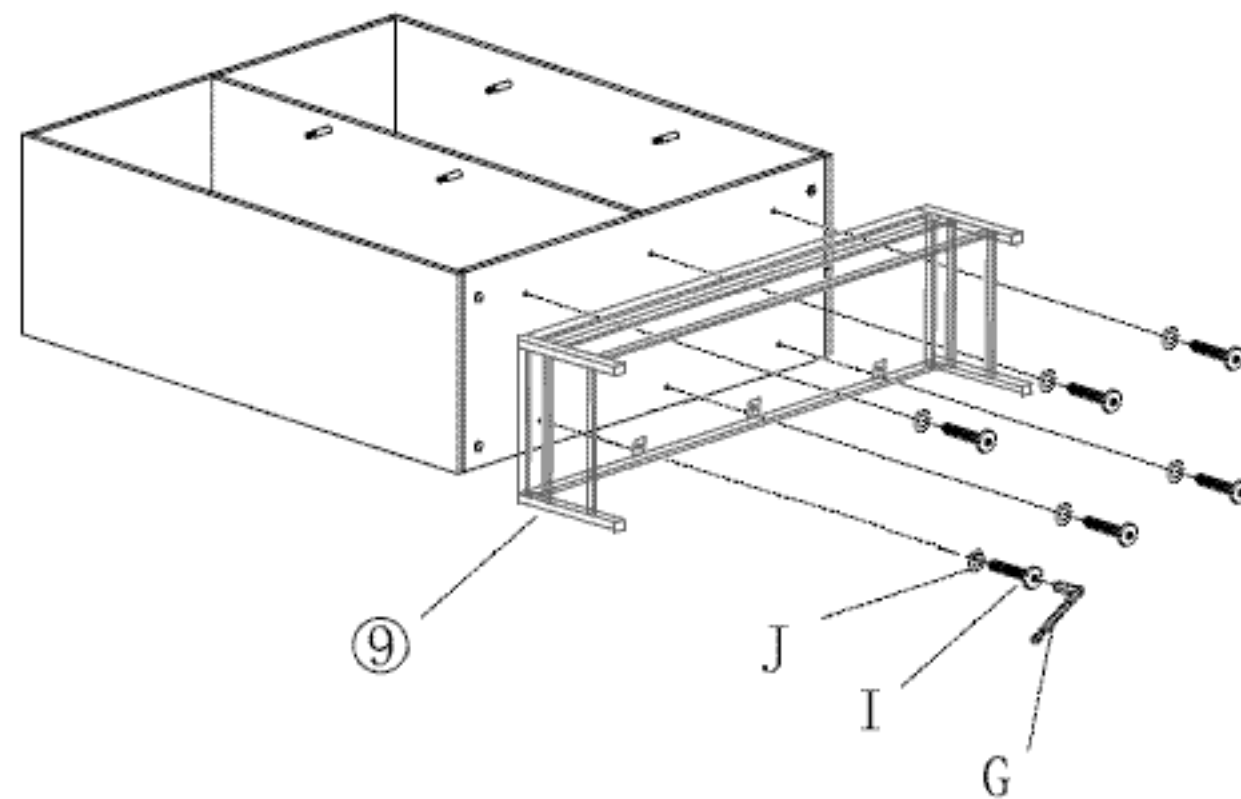
STEP. 4



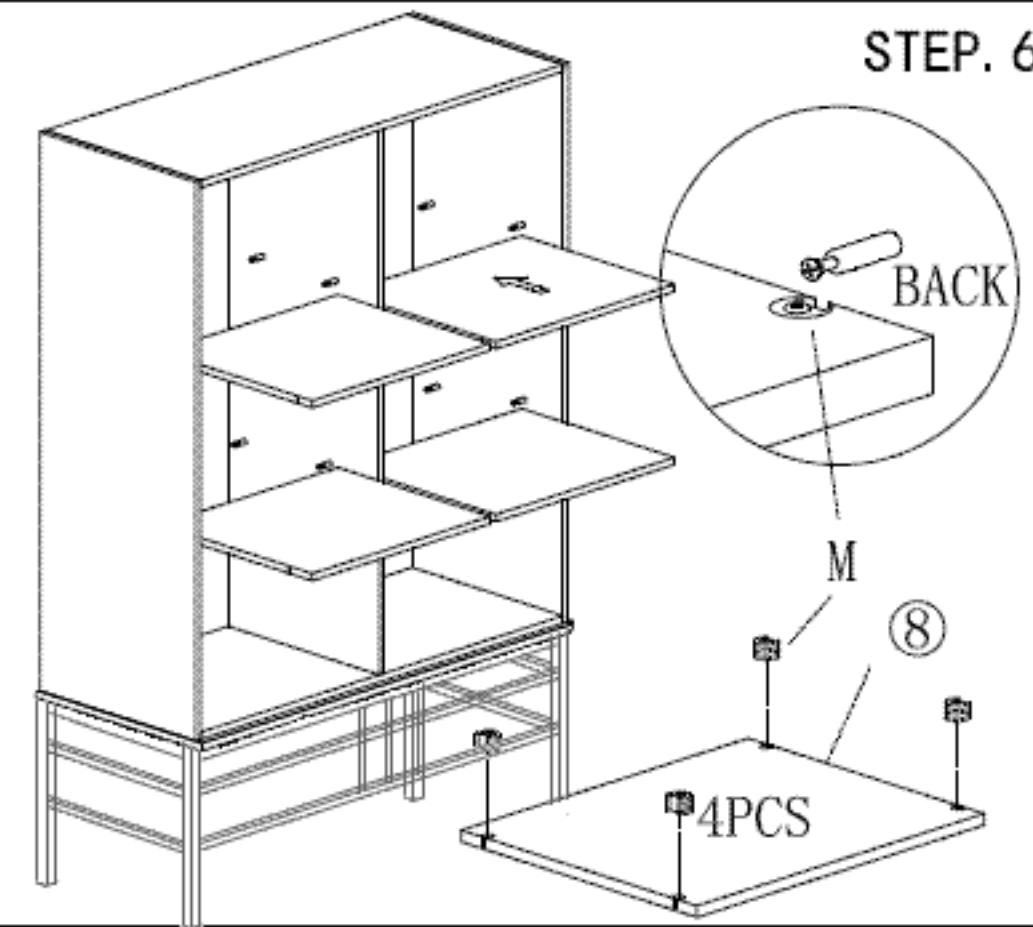
ITEM NO	Content	PCS
A		12
B		12
C		12
D		16
E		12
F		6
G		1
H		24
I		6
J		6
M		16
N		4
O		4
P		16



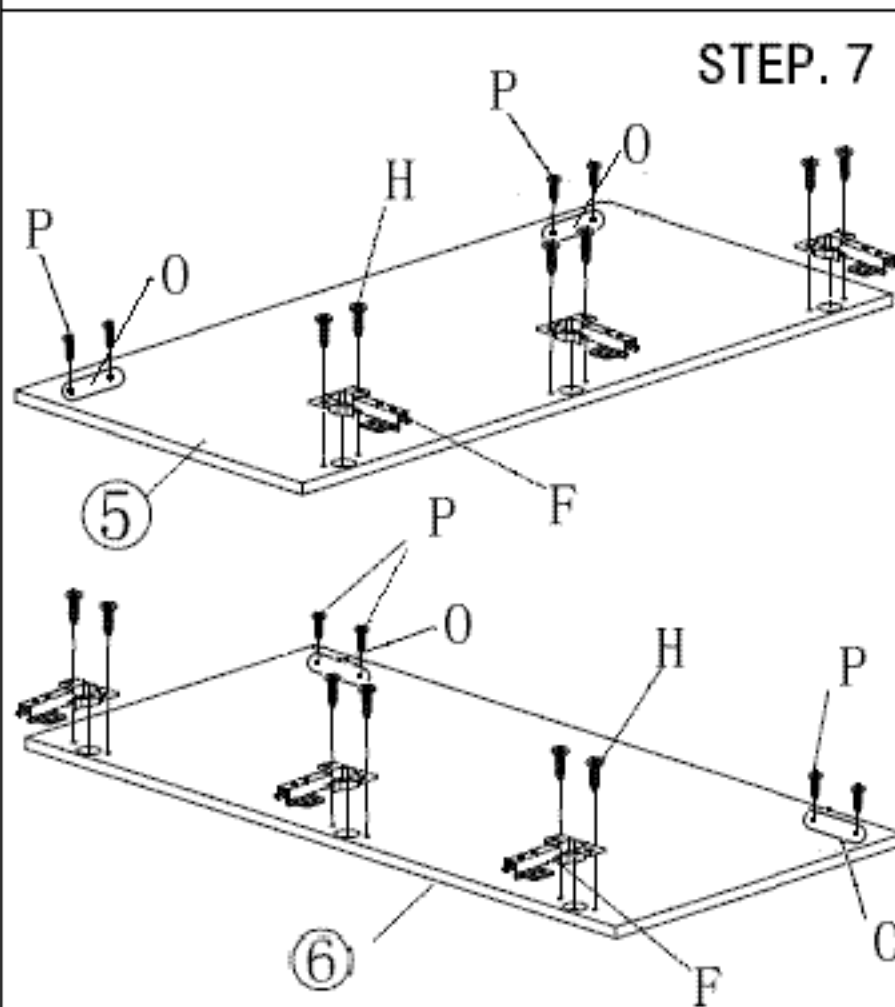
STEP. 5



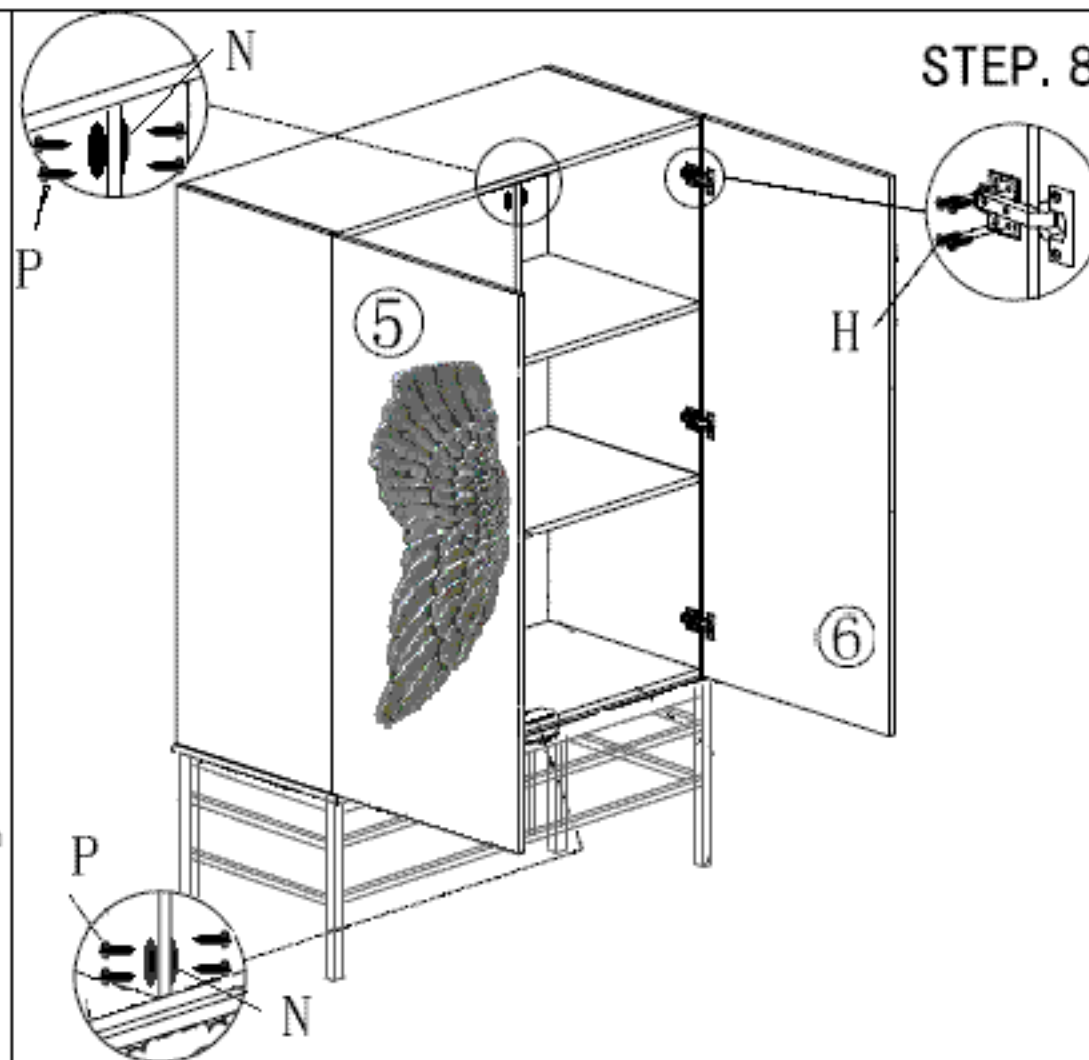
STEP. 6



STEP. 7



STEP. 8



STEP. 9

